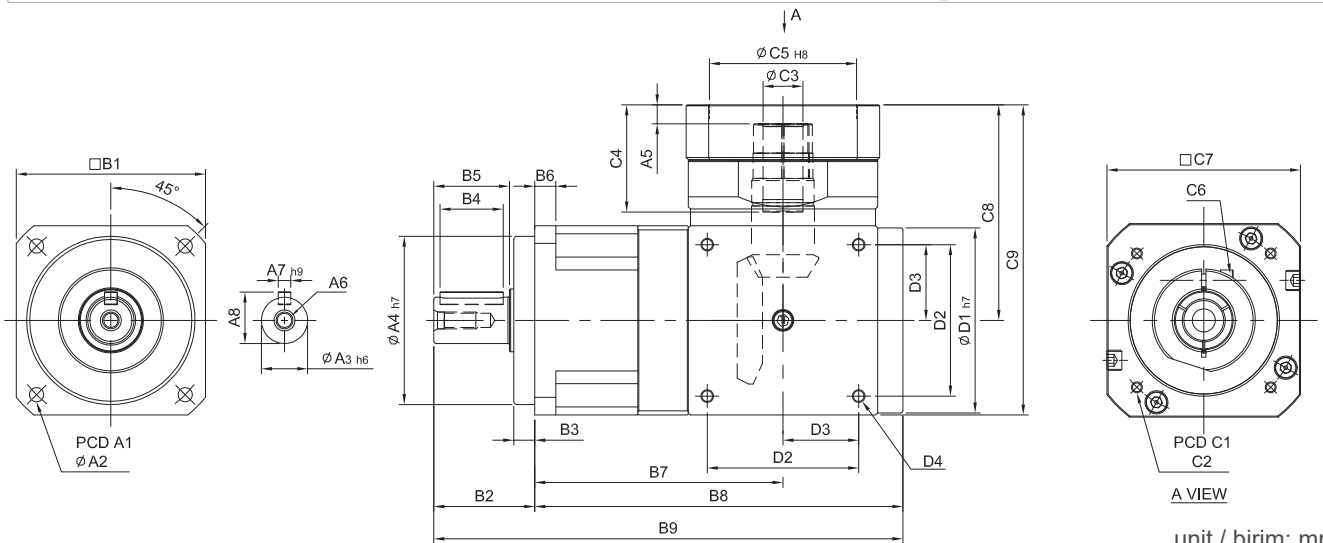
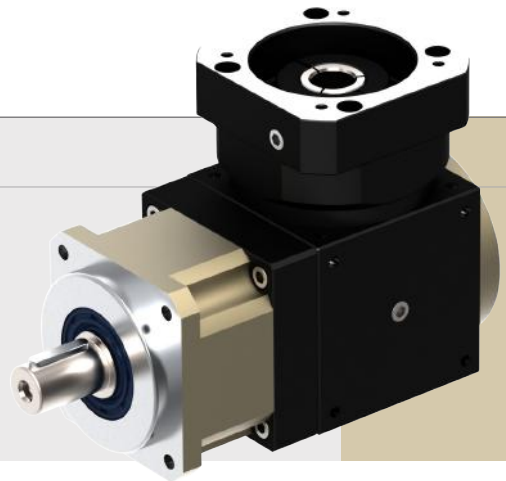


SERVOBOX

MODEL : SBT

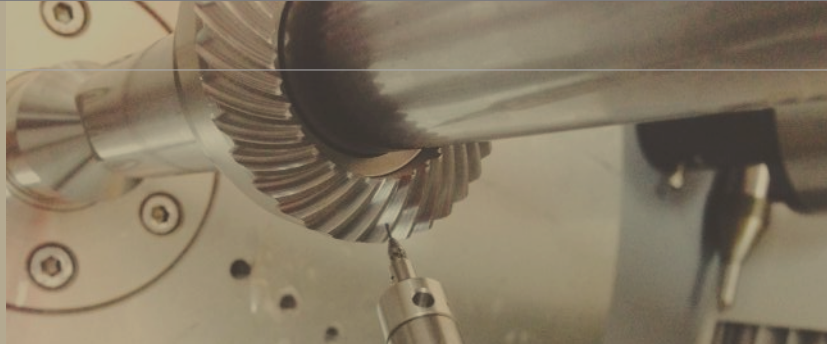
2-Stage / Kademe

RATIO / ÇEVİRİM : 3, 4, 5, 6, 7, 8, 9, 10, 15, 20, 25, 30
35, 40, 45, 50



unit / birim: mm

Model Code	44	62	90	120	142	180	
A	A1	50	70	100	130	165	215
	A2	4.5	5.5	6.8	9	11	13
	A3	13	16	22	32	40	55
	A4	35	50	80	110	130	160
	A5	5	7	9 · 23.5	9 · 23.5	10	9.5
	A6	M4 x P0.7	M5 x P0.8	M8 x P1.25	M10 x P1.5	M12 x P1.75	M14 x P2.0
	A7	5	5	6	10	12	16
	A8	15	18	24.5	35	43	59
B	B1	44	62	90	120	142	180
	B2	26	36	48	65	92	106
	B3	5	7	10	12	15	20
	B4	15	20	30	40	65	70
	B5	20	28	36	50	74	82
	B6	5	8	10	12	15	16
	B7	67.5	87.5	118	145	160	207
	B8	99.5	128	175	215	245	307
	B9	125.5	164	223	280	352	413
C	C1	46 · 60 · 63	70 · 75 · 90	90 · 100 · 115 · 145	90 · 100 · 115 · 145	115 · 145 · 165	145 · 165 · 200
	C2	M3 · M4 · M5	M4 · M5 · M6	M5 · M6 · M8	M5 · M6 · M8	M6 · M8 · M10	M8 · M10 · M12
	C3	8 · 11	14	19 · 24	22 · 24	28 · 32	35 · 38
	C4	25	36	51 · 65.5	51 · 65.5	68	84.5
	C5	30 · 40 · 50	50 · 60 · 70	70 · 80 · 95 · 110	70 · 80 · 95 · 110	95 · 110 · 130	110 · 130 · 180
	C6	M4 x P0.7	M5 x P0.8	M6 x P1.0	M6 x P1.0	M8 x P1.25	M10 x P1.5
	C7	42	64 · 70 · 80	92 · 110 · 130	92 · 110 · 130	122 · 130 · 150	146 · 150 · 190
	C8	53	77	103 · 117	122 · 136	154	189
	C9	78	110	148 · 162	177 · 191	225	279
D	D1	48	62	88	106	135	164
	D2	-	52	72	88	110	134
	D3	-	26	36	44	55	67
	D4	-	M5 x P0.8	M6 x P1.0	M8 x P1.25	M10 x P1.5	M12 x P1.75



Model No.		Unit/Birim	Ratio Çevrim	44	62	90	120	142	180
Nominal output torque / Nominal Çıkış Torku	T_{2N}	Nm	3	19	59	165	335	625	1,206
			4	16	51	146	300	555	1,069
			5	16	48	160	333	618	1,189
			6	15	45	151	311	583	1,118
			7	15	45	149	309	573	1,108
			8	14	43	143	298	553	1,070
			9	13	44	145	278	516	993
			10	16	48	160	333	618	1,189
			15	16	48	160	333	618	1,189
			20	16	48	160	333	618	1,189
			25	16	48	160	333	618	1,189
			30	15	45	151	311	583	1,118
			35	15	45	149	309	573	1,108
			40	14	43	143	298	553	1,070
			45	13	44	145	278	516	993
50	14	43	141	294	549	1,059			
Max. Acceleration Torque / Max. İvmelenme Torku	T_{2B}	Nm	3 ~ 50	1.8 Times of Rated Output Torque / 1,8 x Nominal Çıkış Torku					
Max. Output Torque / Max. Çıkış Torku	T_{2NOT}	Nm	3 ~ 50	3 Times of Rated Output Torque / 3 x Nominal Çıkış Torku					
Rated Input Speed / Nominal Giriş Devri	n_{IN}	rpm	3 ~ 50	3,000	3,000	3,000	3,000	3,000	3,000
Max. Input Speed / Max. Giriş Devri	n_{IB}	rpm	3 ~ 50	6,000	6,000	6,000	5,000	5,000	4,000
Backlash Ps / Min. Boşluk Oranı		arcmin	3 ~ 50	-	-	≤ 2	≤ 2	≤ 2	≤ 2
Backlash P0 / Düşük Boşluk Oranı		arcmin	3 ~ 50	≤ 4	≤ 4	≤ 4	≤ 4	≤ 4	≤ 4
Backlash P1 / Azaltılmış Boşluk Oranı		arcmin	3 ~ 50	≤ 6	≤ 6	≤ 6	≤ 6	≤ 6	≤ 6
Backlash P2 / Standart Boşluk Oranı		arcmin	3 ~ 50	≤ 8	≤ 8	≤ 8	≤ 8	≤ 8	≤ 8
Torsional Rigidity / Burulma Direnci		Nm/arcmin	3 ~ 50	3	6	14	27	60	140
Max. Radial Force / Max. Radyal Yük	F_{2rB}	N	3 ~ 50	380	1,180	3,200	6,800	9,300	15,600
Max. Axial Force / Max. Aksiyel Yük	F_{2aB}	N	3 ~ 50	190	590	1,600	3,400	4,650	7,800
Service Life / Hizmet Ömrü	L_H	hr	3 ~ 50	S5 Döngüsel Çalışma: >30,000 (S1 Sürekli Çalışma: >15,000 saat) S5 Cycle Operation: >30,000 (S1 Continuous Operation: >15,000 hrs)					
Efficiency / Verim	η	%	3 ~ 50	≥ 95					
Operating Temperature / Çalışma Sıcaklığı		°C	3 ~ 50	-25° C ~ + 90° C					
Lubrication / Yağlama			3 ~ 50	Synthetic Grease / Sentetik Gres					
Protection Class / Koruma Sınıfı			3 ~ 50	IP65					
Mounting Position / Montaj Pozisyonu			3 ~ 50	Any / Her Yönde					
Noise Level / Ses Seviyesi		dB	3 ~ 50	≤ 65	≤ 67	≤ 71	≤ 73	≤ 74	≤ 75
Weight / Ağırlık ±3%		Kg	3 ~ 50		2.2	7.1	13	24	48

■ Mass Moments of Inertia / Atalet Ağırlık Momenti (kg.cm²)

Ratio / Çevrim	44	62	90	120	142	180
3	0.09	0.36	2.28	6.85	23.5	68.2
4	0.09	0.36	2.28	6.85	23.5	68.2
5	0.09	0.36	2.28	6.85	23.5	68.2
6	0.09	0.36	2.28	6.85	23.5	68.2
7	0.09	0.36	2.28	6.85	23.5	68.2
8	0.09	0.36	2.28	6.85	23.5	68.2
9	0.09	0.36	2.28	6.85	23.5	68.2
10	0.09	0.36	2.28	6.85	23.5	68.2
15	0.06	0.22	2.05	6.21	21.2	61.3
20	0.06	0.22	2.05	6.21	21.2	61.3
25	0.06	0.22	2.05	6.21	21.2	61.3
30	0.06	0.22	2.05	6.21	21.2	61.3
35	0.06	0.22	2.05	6.21	21.2	61.3
40	0.06	0.22	2.05	6.21	21.2	61.3
45	0.06	0.22	2.05	6.21	21.2	61.3
50	0.06	0.22	2.05	6.21	21.2	61.3