

HK series / serileri

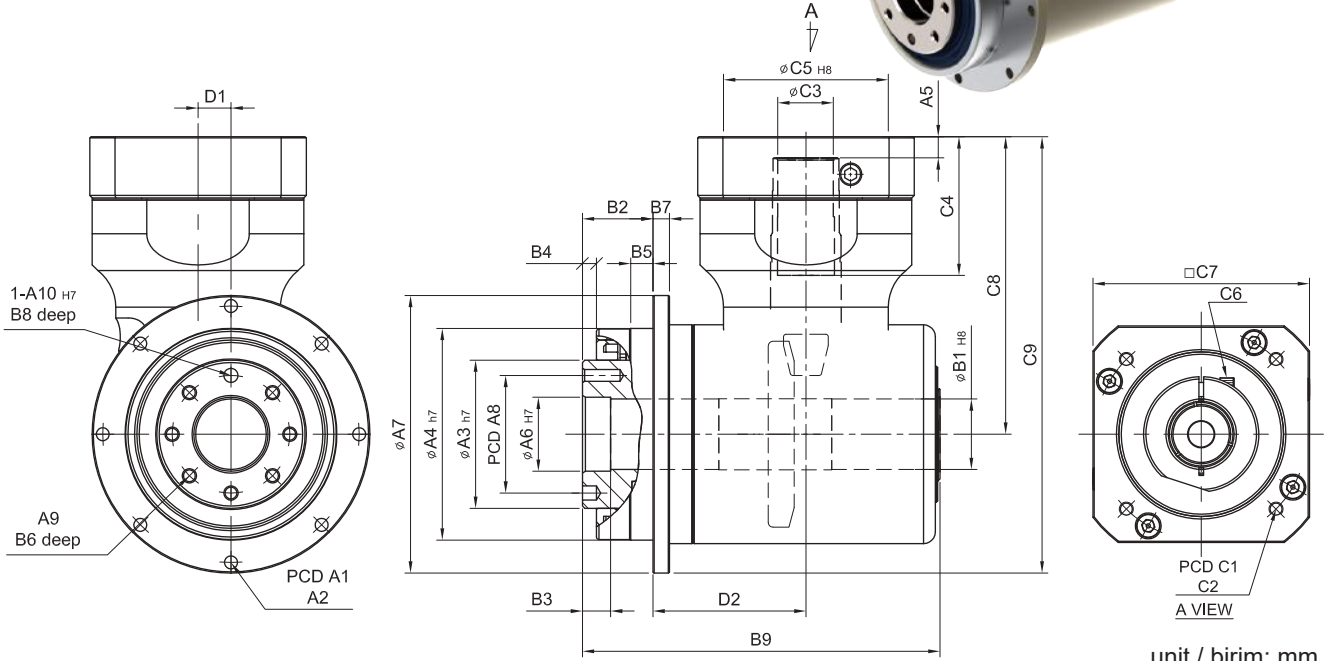
Indication of Model Numbers / Model Seçimi

HK	64		B	3	P0	
Type	Model	Output / Çıkış	Bearing / Rulman	Ratio / Çevrim	Backlash Class / Boşluk Sınıfı	Motor Type / Tipi
HK	64 90 110 140 200		B:Ball Bearing / Bilyalı Rulman (64#~140#) T:Taper Bearing / Masuralı Rulman (200#)	3 5 8 10 15	$P0 \leq 3$ $P1 \leq 6$ $P2 \leq 9$	Motor Brand & Model No. / Motor Markası & Modeli



HK series / serileri

RATIO / ÇEVİRİM : 3.5.8.10.15 (1-Stage / Kademe)



unit / birim: mm

Model Code	64	90	110	140	200
A					
A1	79	109	135	168	233
A2	8-4.5	8-5.5	8-5.5	12-6.6	12-9.0
A3 h7	40	63	80	100	160
A4 h7	64	90	110	140	200
A5	5	6	9	10	10
A6 h7	20	31.5	40	50	80
A7	86	118	146	179	248
A8	31.5	50	63	80	125
A9	7-M5 x P0.8	7-M6 x P1.0	11-M6 x P1.0	11-M8 x P1.25	11-M10 x P1.5
A10 H7	5	6	6	8	10
B					
B1 H7	15	30	30	40	55
B2	19.5	30	29	38	50
B3	7	12	12	12	16
B4	4	6	6	6	8
B5	6	10	10	15	15
B6	10	12	12	16	22
B7	5	7	8	10	12
B8	6	6	7	7	10
B9	104.5	152	168	200	260
C					
C1	46 · 60 · 63	90 · 110 · 115 · 145	115 · 145 · 165	115 · 145 · 165	145 · 165 · 200
C2	M3 · M4 · M5	M5 · M6 · M8	M6 · M8 · M10	M6 · M8 · M10	M8 · M10 · M12
C3	11	24	32	35	42
C4	26	59	67	82	84.5
C5 H8	30 · 40 · 50	70 · 80 · 95 · 110	95 · 110 · 130	95 · 110 · 130	110 · 130 · 180
C6	M3 x P0.5	M6 x P1.0	M8 x P1.25	M8 x P1.25	M10 x P1.5
C7	46 · 55	92 · 110 · 130	122 · 130 · 150	122 · 130 · 150	146 · 150 · 190
C8	69	126.5	149	179	228
C9	112	185.5	222.5	269	352.5
C10	1/8"PT	1/8"PT	1/4"PT	1/4"PT	1/4"PT
D					
D1	9	14	18	23	32
D2	43	65	77	90	117

HK Series / Serileri

1-Stage / Kademe

Model No.		Unit Birim	Ratio Çevrim	64	90	110	140	200
Nominal output torque / Nominal Çıkış Torku	T_{2N}	Nm	3~5	30	70	140	260	720
			8~10	25	60	117	220	615
			15	20	50	95	180	510
Max. Acceleration Torque / Max.İvmelenme Torku	T_{2B}	Nm	3~15	1.5 Times of Rated Output Torque / 1,5 x Nominal Çıkış Torku				
Max. Output Torque / Max.Çıkış Torku	T_{2NOT}	Nm	3~15	3 Times of Rated Output Torque / 3 x Nominal Çıkış Torku				
Rated Input Speed / Nominal Giriş Devri	n_{1N}	rpm	3~5	2,200	1,800	1,500	1,150	700
			8~10	3,300	2,700	2,200	1,800	1,200
			15	4,000	3,300	2,800	2,300	1,600
Max. Input Speed / Max.Giriş Devri	n_{1B}	rpm	3~15	6,000	5,000	4,000	3,000	3,000
Backlash / Boşluk Oranı	J_t	arcmin	P0	≤ 3	≤ 3	≤ 3	≤ 3	≤ 3
			P1	≤ 6	≤ 6	≤ 6	≤ 6	≤ 6
			P2	≤ 9	≤ 9	≤ 9	≤ 9	≤ 9
Max. Radial Force Ball Bearing / Max. Radyal Yük Bilyalı Rulman	F_{2rB}	N	3~15	1,040	2,366	3,900	5,837	-
Max. Axial Force Ball Bearing / Max. Aksiyel Yük Bilyalı Rulman	F_{2aB}	N	3~15	520	1183	1950	2919	-
Max. Radial Force Taper Bearing / Max. Radyal Yük Masuralı Rulman	F_{2rB}	N	3~15	-	-	-	-	14,420
Max. Axial Force Taper Bearing / Max. Aksiyel Yük Masuralı Rulman	F_{2aB}	N	3~15	-	-	-	-	7,210
Service Life / Hizmet Ömrü	L_{Ht}	hr	3~15	S5 Döngüsel Çalışma : >30,000 (S1 Sürekli Çalışma : >15,000 hrs) S5 Cycle Operation: >30,000 (S1 Continuous Operation: >15,000 hrs)				
Efficiency / Verim	η	%	3~8	≥ 96%				
			10~15	≥ 93%				
Operating Temperature / Çalışma Sıcaklığı		°C	3~15	-10°C ~ +90°C				
Lubrication / Yağlama			3~15	Synthetic Oil / Sentetik Yağ				
Noise Level / Ses Seviyesi		dB	3~15	≤ 66	≤ 67	≤ 68	≤ 69	≤

Mass Moments of Inertia / Atalet Ağırlık Momenti (kgcm²)

Ratio / Çevrim	64	90	110	140	200
3	0.39	0.98	2.42	7.12	26.96
5	0.23	0.58	1.41	4.00	13.53
8	0.17	0.43	1.12	2.85	8.95
10	0.15	0.38	1.00	2.46	7.38
15	0.13	0.34	0.81	2.07	5.76