

SCREW JACK REDUCER



J6

VJ



J7

VJM

BEVEL GEAR REDUCER



K5~K8

TH-AW



K5~K8

TH-CW



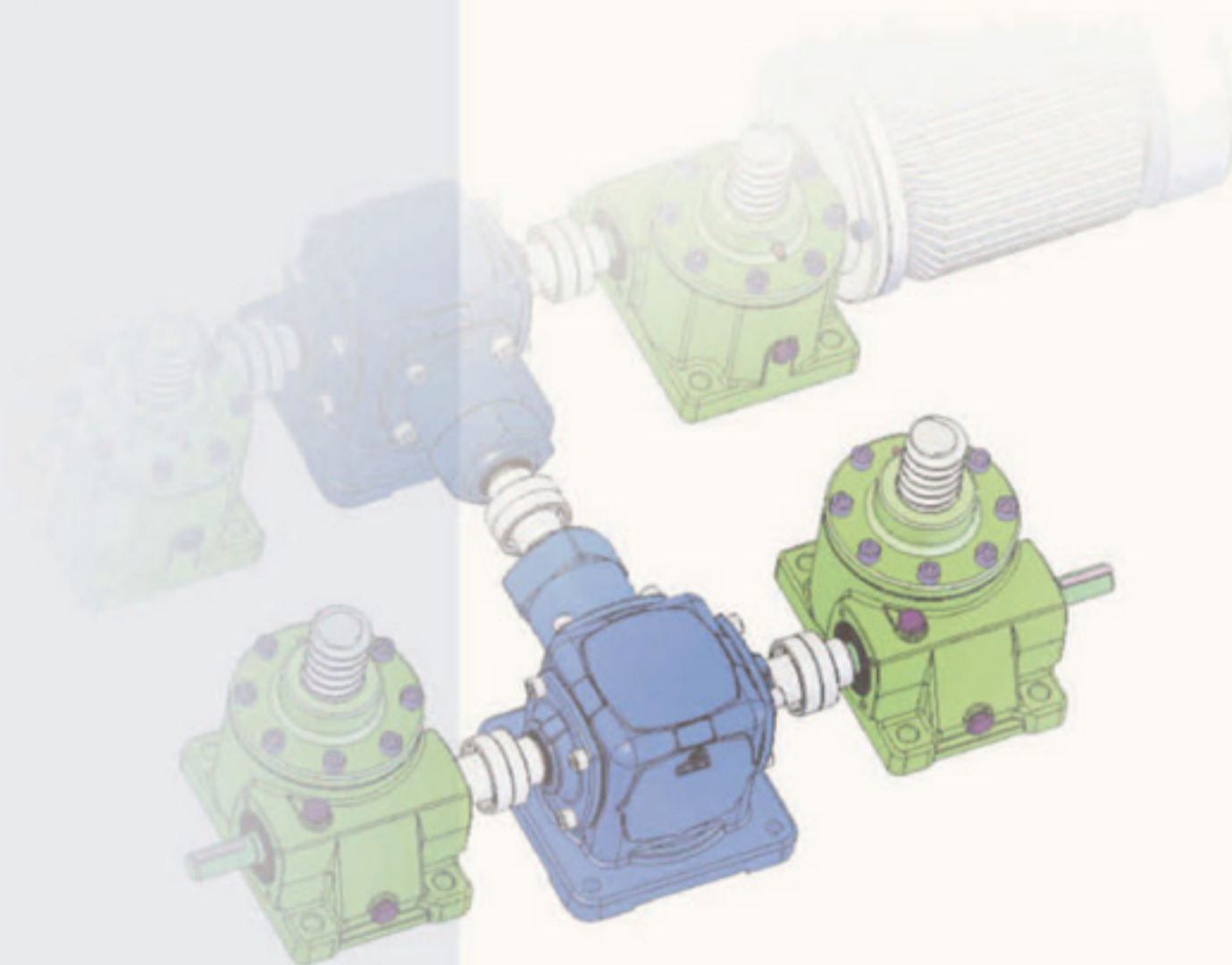
K5~K8

TH-BW



K5~K8

TH-DW





BEVEL GEAR REDUCER SERIES

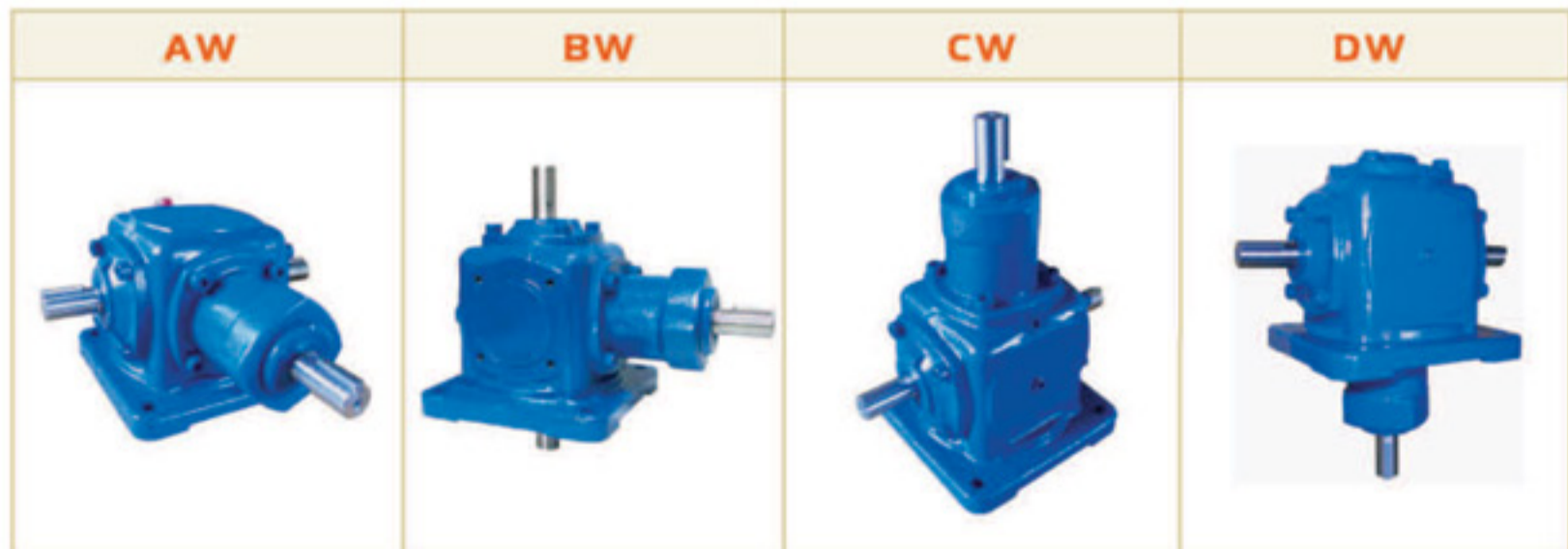
FEATURES :

1. All series are made of modulated design and production, low noise, high torque, high efficiency.
2. Bevel gear reducer can be installed at all machinery, 24 various directions are basis of up, down, left and right.
3. Gear transmission efficiency is available to 95%, ratio 1:1 or 1:2 can be choose.

INDICATION OF MODEL NUMBERS

LM - TH - 15 - I - AW

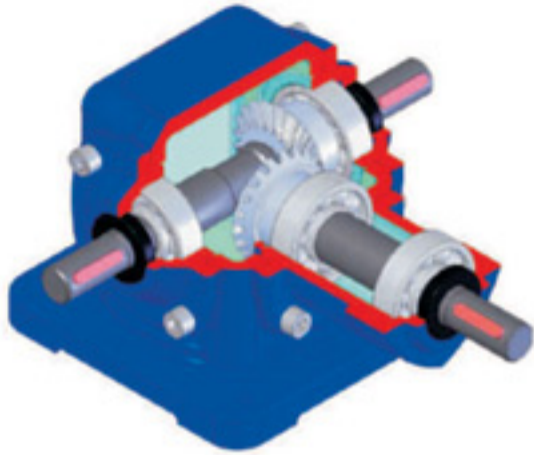
Company Name	Type	Model	Ratio	Shaft Direction
		15	1/1	AW
		19	1/2	BW
		25		CW
		40		DW





BEVEL GEAR REDUCER SERIES

■ STRUCTURE, FEATURES AND APPLICATION



CASING: High rigid FC cast iron.

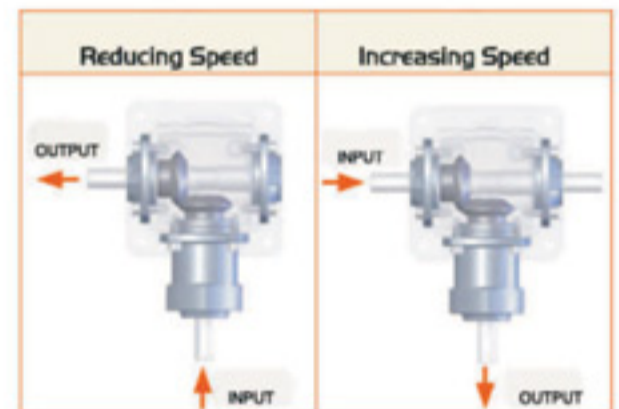
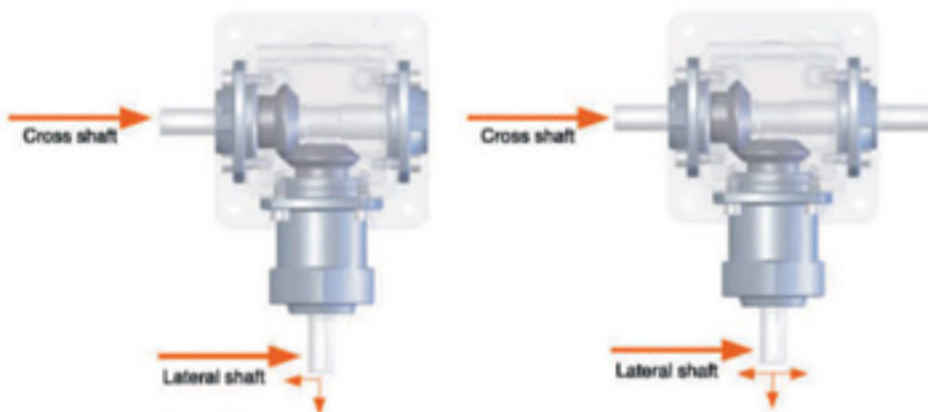
GEAR: Made of superior purity alloy steel SCM21 with carbonized heat treatment to increase hardness.

SHAFT: Made of steel S45C to bear high loading.

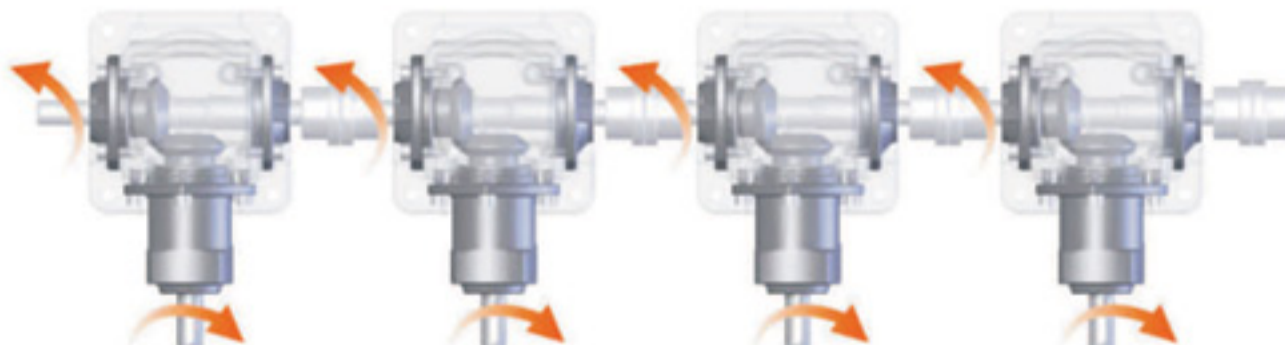
BEARING: Equipped with ball bearing.

OIL SEAL: With double lips to prevent dust and oil leakage.

BASIC ROTATION DIRECTION



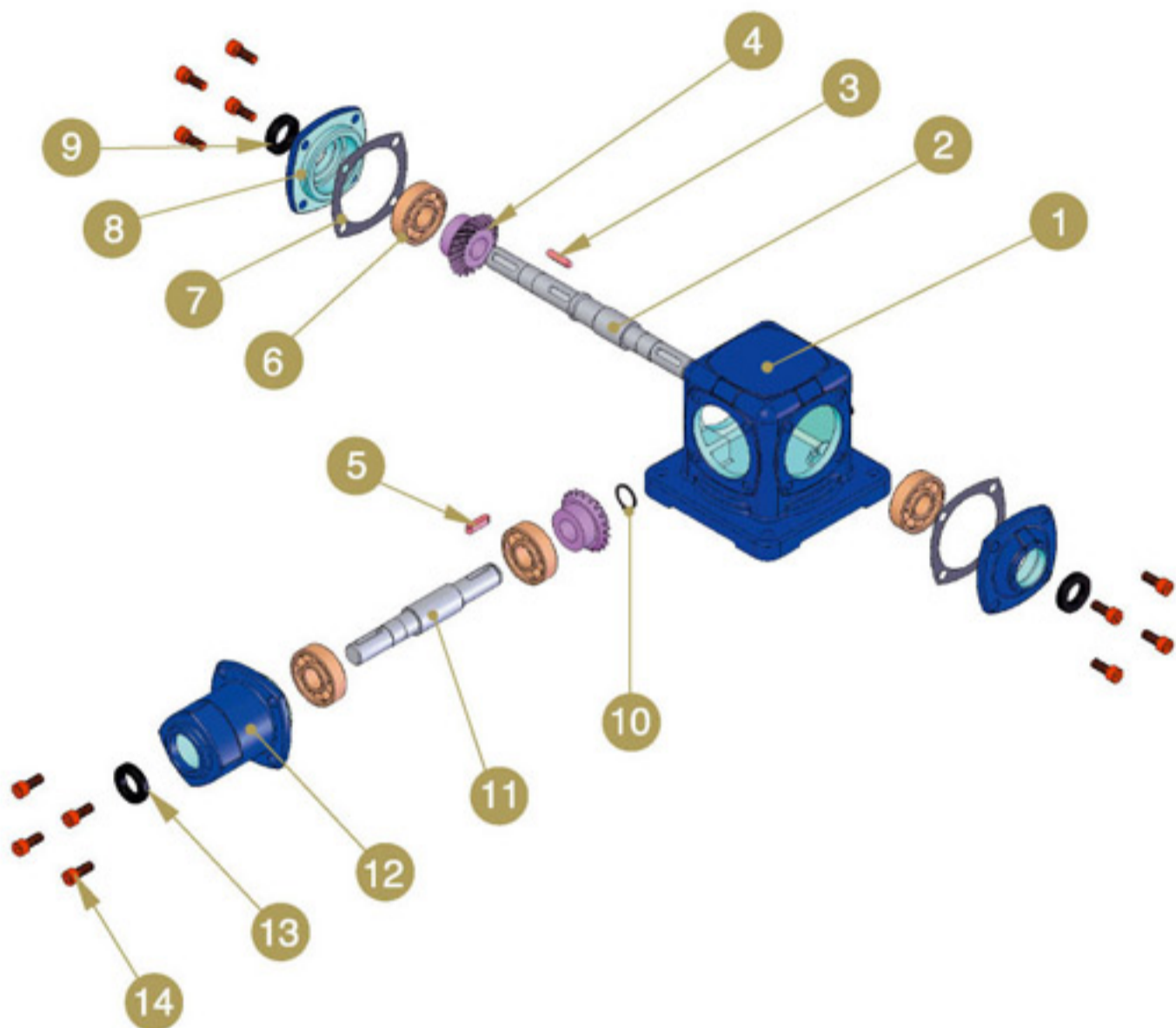
EXAMPLE



1. To choose correct rotating direction and ratio.
2. To choose oil: Grease or KUO-KUANG brand oil HD-460 lubricant.
3. If you have special request, please contact us.

■ TH分解系統

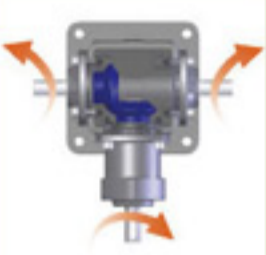
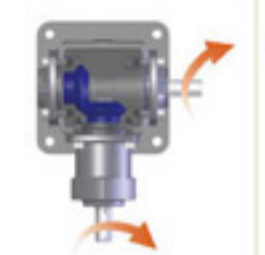
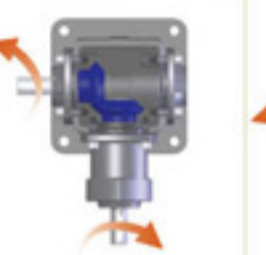
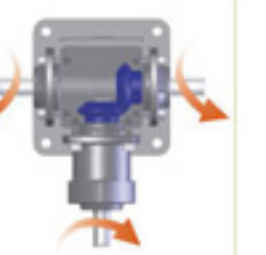
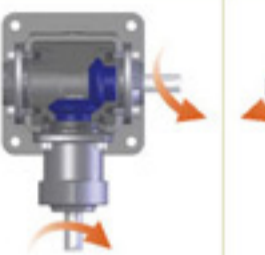
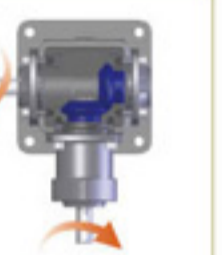



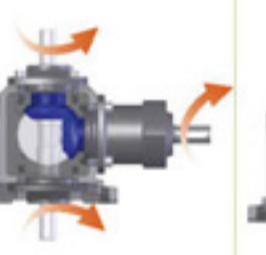










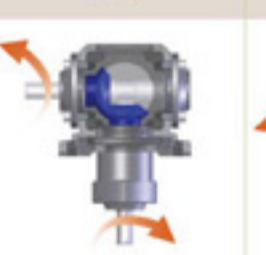

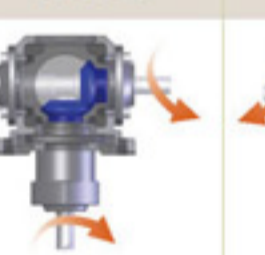

■ SYSTEM DRAWING OF MODEL TH



NO.	名稱	NAME OF PARTS	NO.	名稱	NAME OF PARTS
1	齒輪箱	Gear Shell	9	油封TC	Oil Seal TC
2	出力軸	Output Shaft	10	扣環	Snap Ring
3	雙圓鍵	Key	11	入力軸	Input Shaft
4	傘齒輪	Bevel Gear	12	入力軸蓋	Input Shaft Cover
5	雙圓鍵	Key	13	油封SC.TC	Oil Seal SC & TC
6	滾珠軸承	Ball Bearing	14	內六角承窩螺絲	HEX. Screw
7	非石棉墊片	Paper Packing			
8	出力軸蓋	Output Shaft Cover			

■ 軸向及旋向選擇表

■ SHAFT & ROTATING DIRECTION

AW	AR	AL	AW-C	AR-C	AL-C
					
BW	BR	BL	BW-C	BR-C	BL-C
					
CW	CR	CL	CW-C	CR-C	CL-C
					
DW	DR	DL	DW-C	DR-C	DL-C
					

■ 潤滑油使用

■ LUBRICANT

適當的潤滑油使用，可以發揮轉向機的效率，並提高其運轉的壽命。

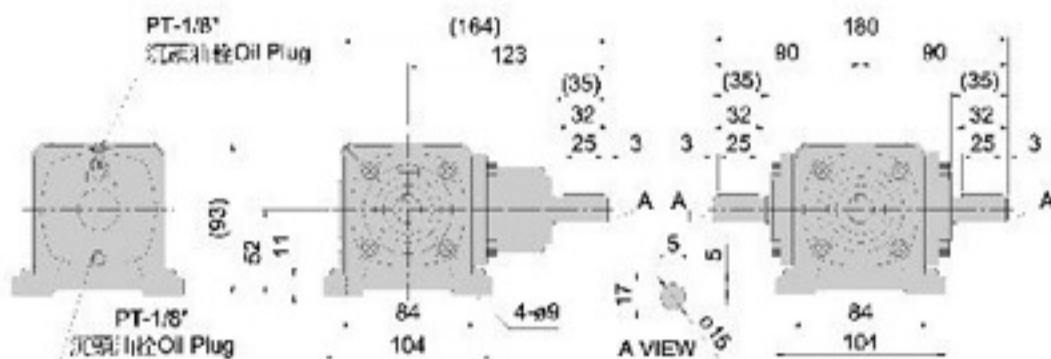
1. 本產品潤滑油採用中國石油-極壓機油HD460。
2. 只做短時間的運轉時，可以選擇使用潤滑脂。
3. 長期使用，每一年或2400小時更換一次潤滑油。

To use appropriate lubricant will enhance the efficiency of bevel gear reducer and increase its service life.

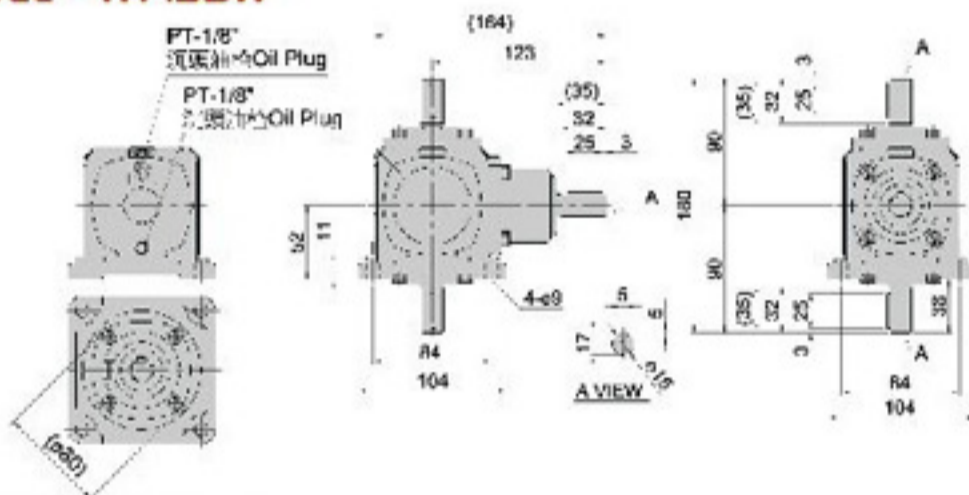
1. LI MING bevel gear reducers use KUO-KUANG brand oil HD-460.
2. Grease can be choosed for short-term operation.
3. Please replace lubricant once per year or per 2400 hours for long-term operation.

螺旋傘齒輪轉向器系列 BEVEL GEAR REDUCER SERIES

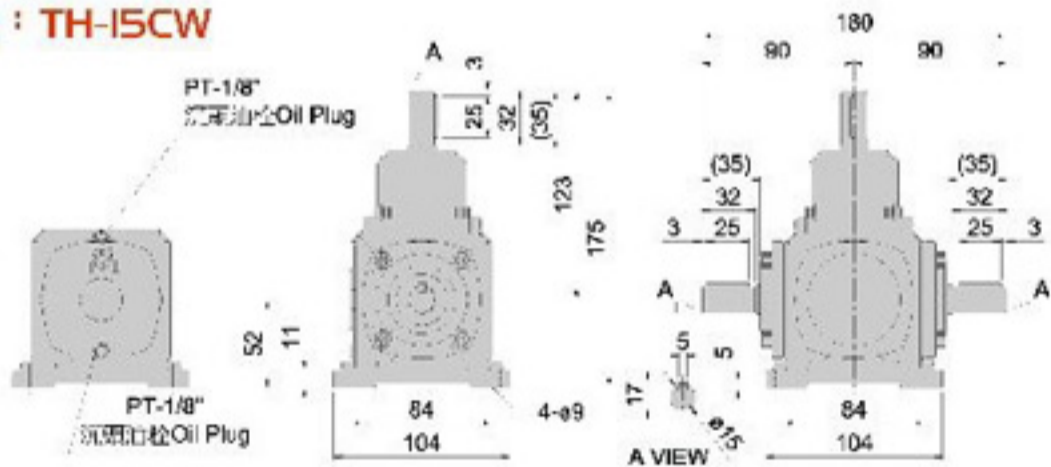
MODEL : TH-15AW



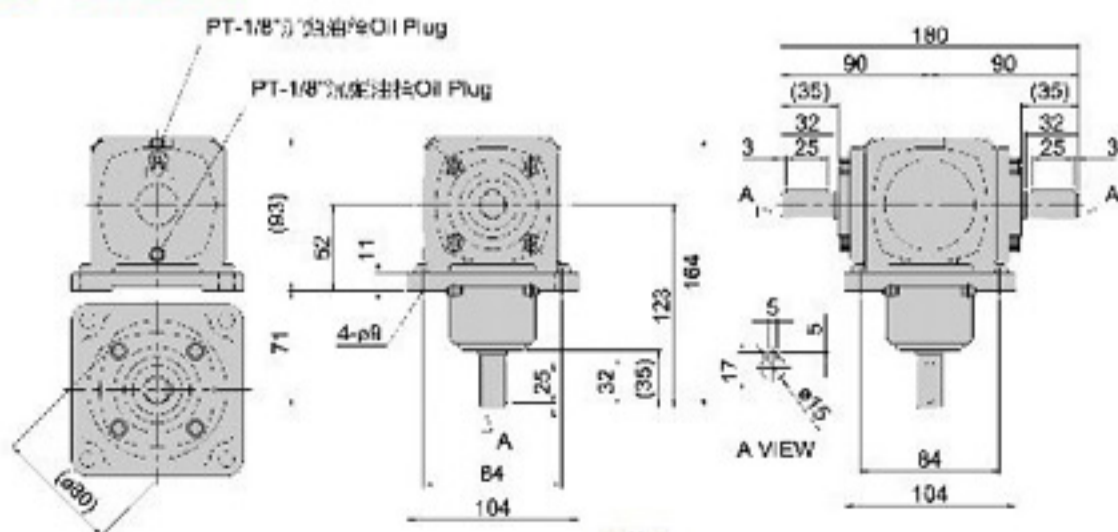
MODEL : TH-15BW



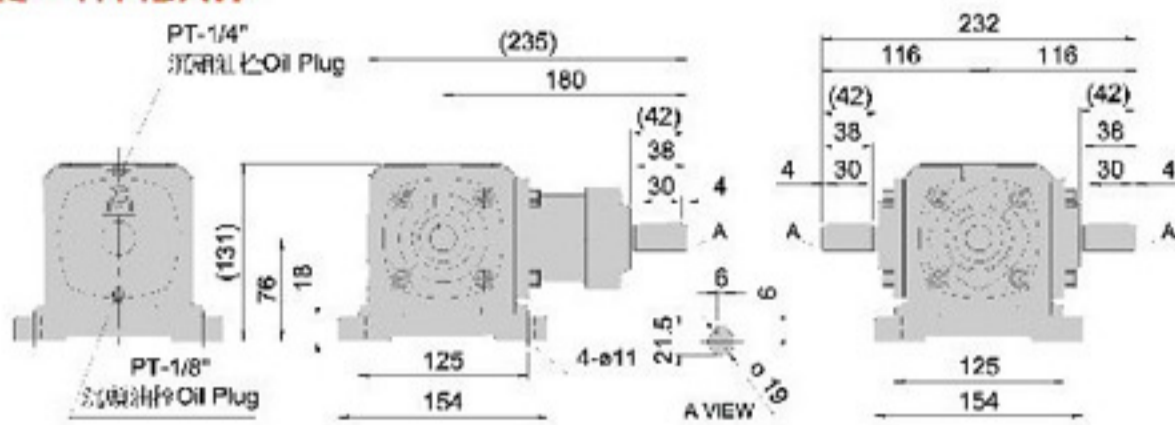
MODEL : TH-15CW



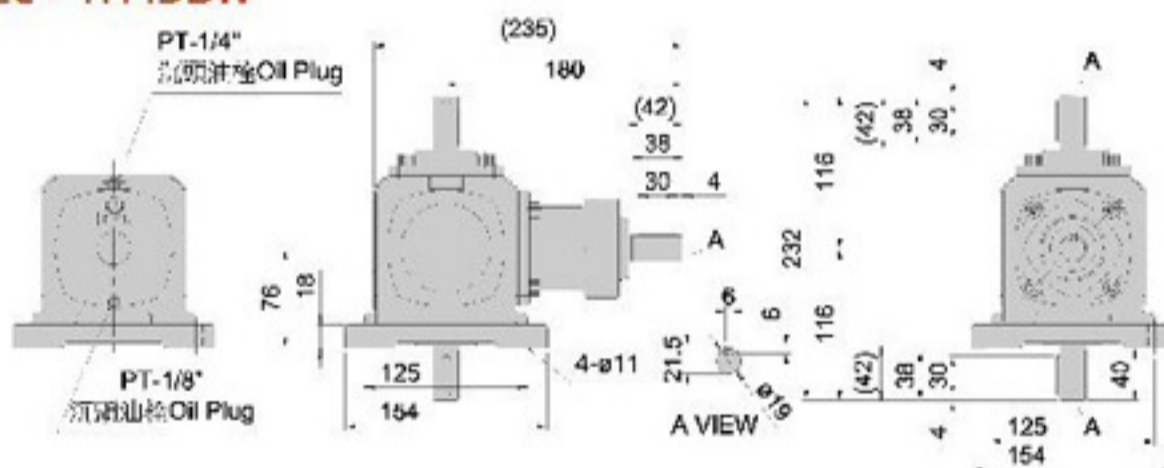
MODEL : TH-15DW



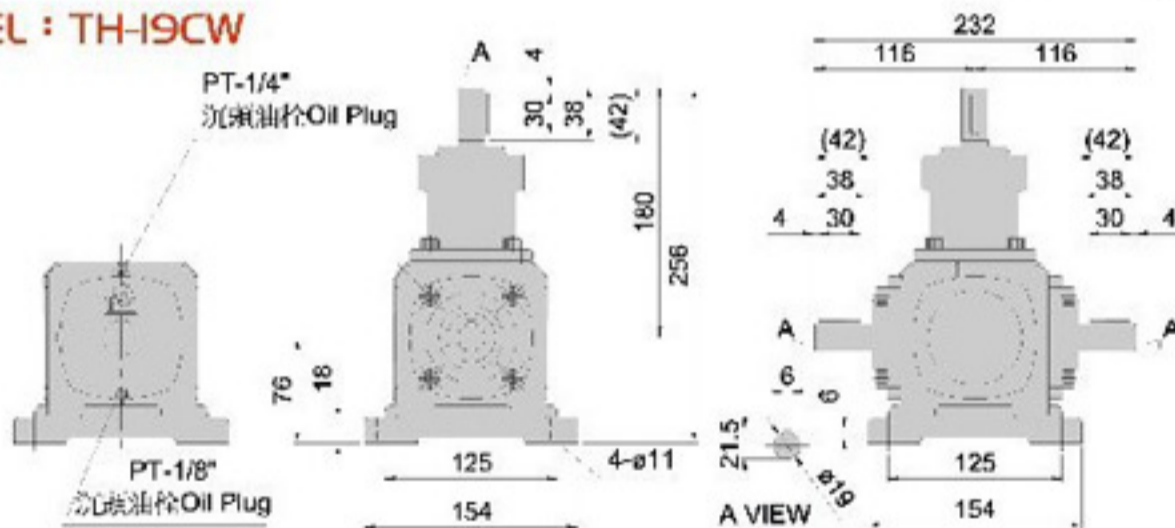
■ MODEL : TH-I9AW



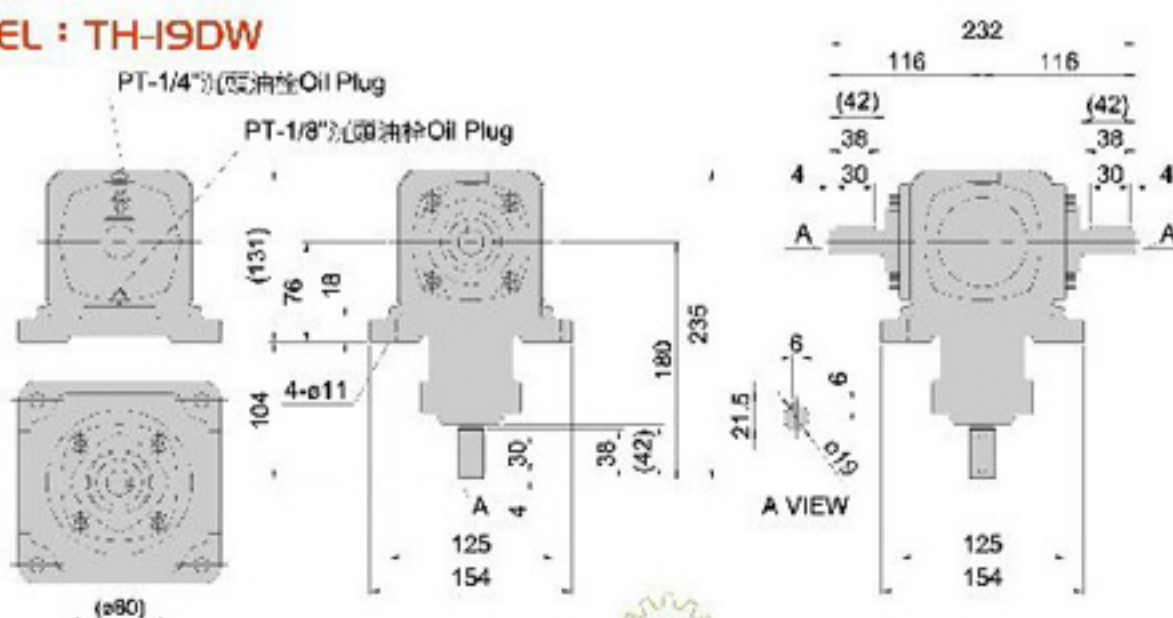
■ MODEL : TH-I9BW



■ MODEL : TH-I9CW



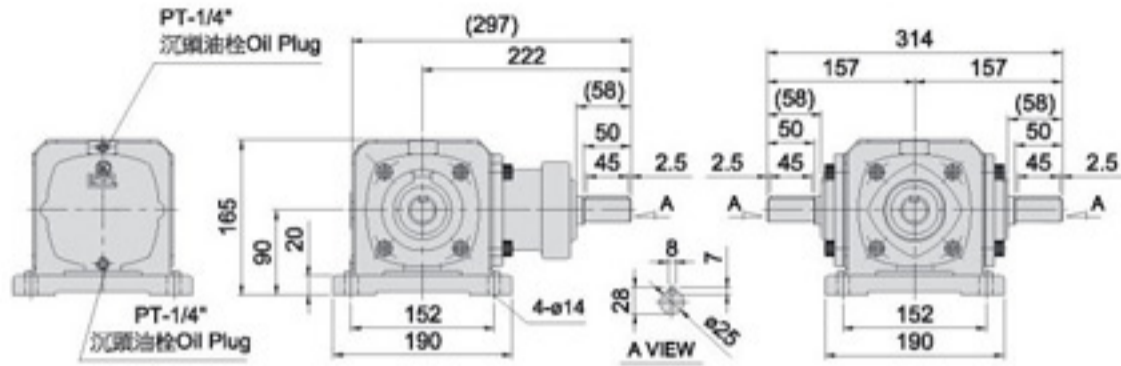
■ MODEL : TH-I9DW



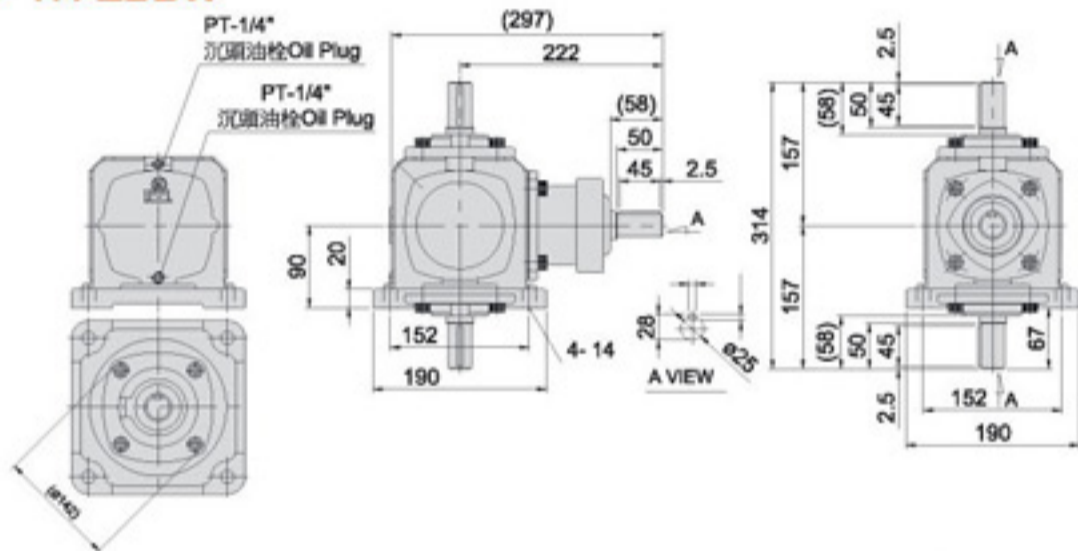


螺旋傘齒輪轉向器系列 BEVEL GEAR REDUCER SERIES

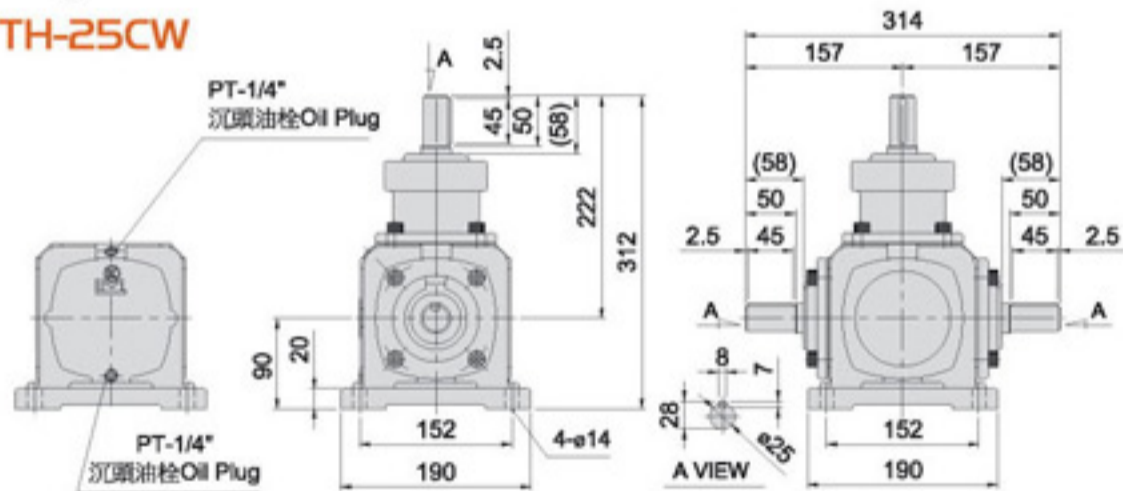
MODEL : TH-25AW



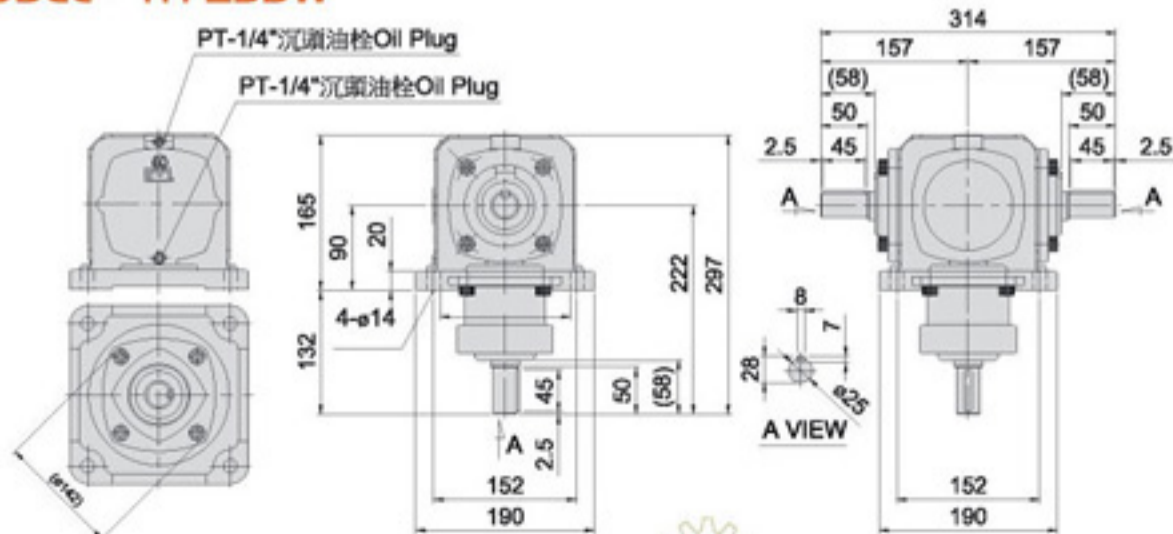
MODEL : TH-25BW



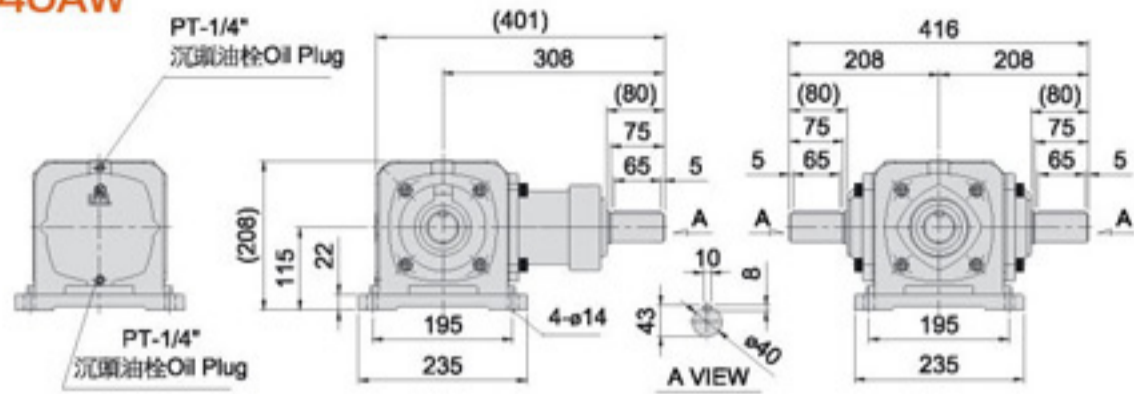
MODEL : TH-25CW



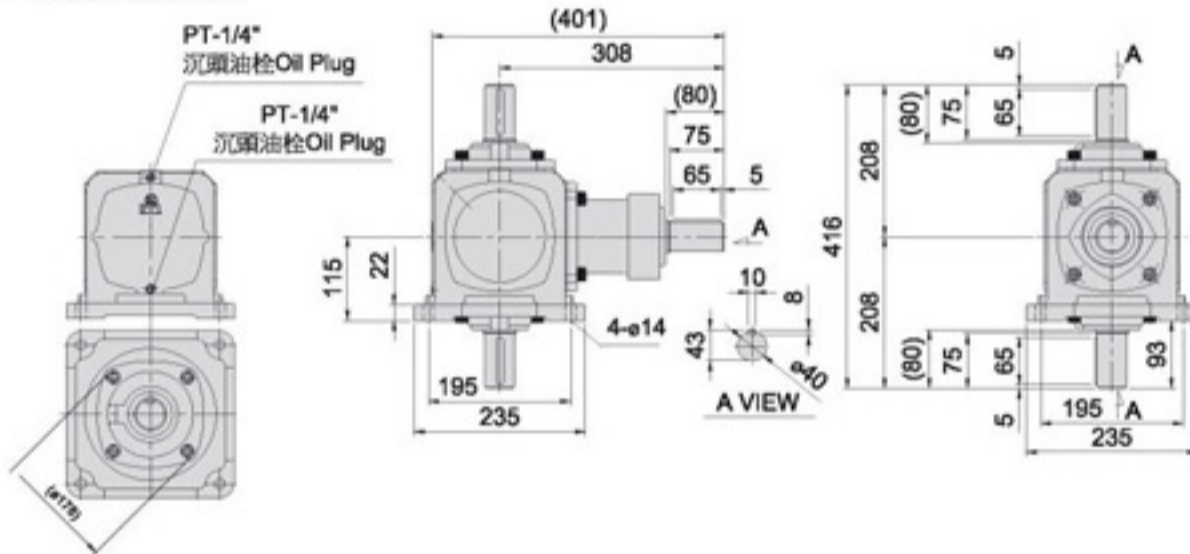
MODEL : TH-25DW



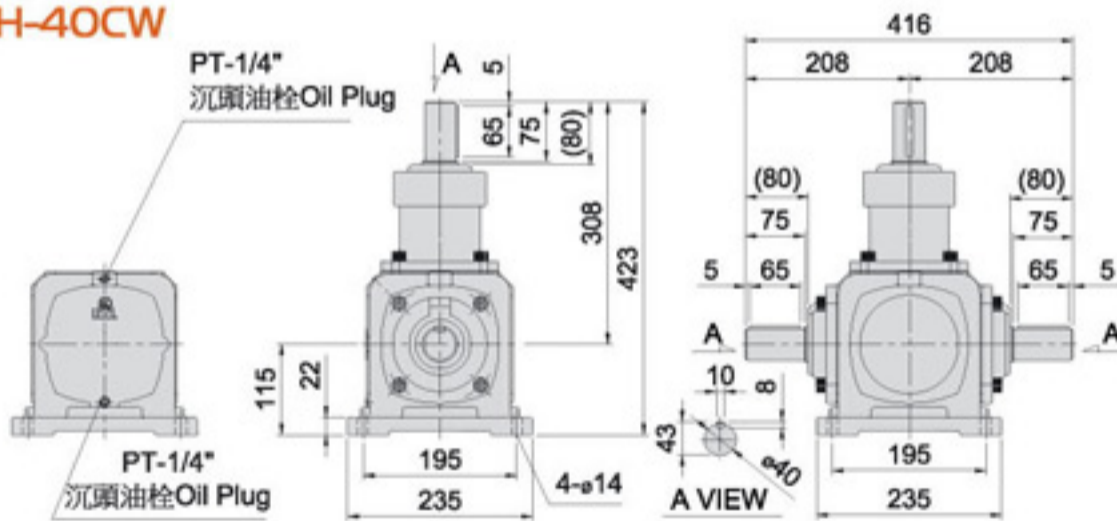
■ MODEL : TH-40AW



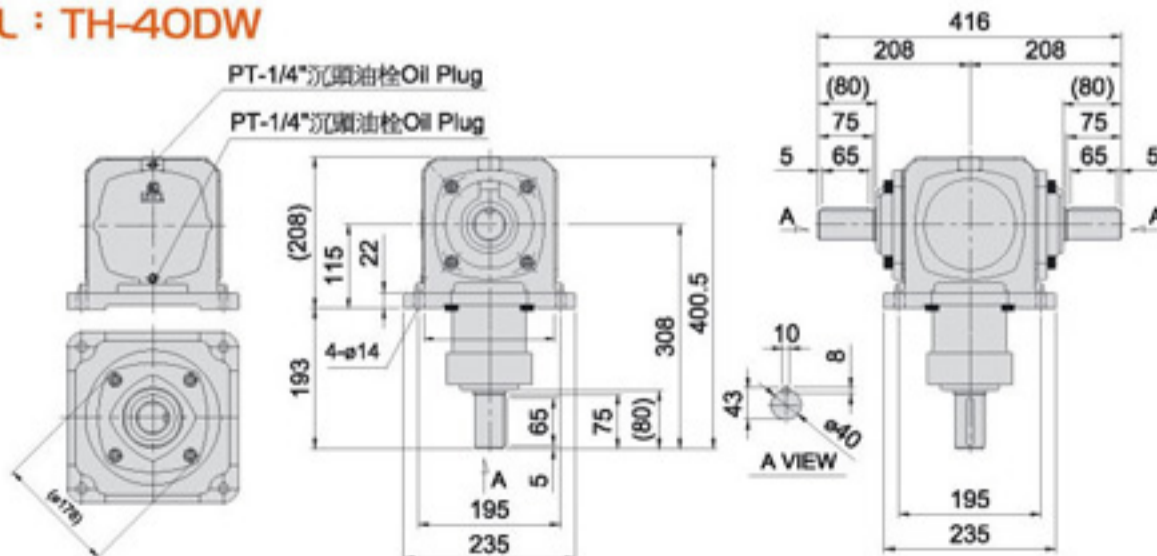
■ MODEL : TH-40BW



■ MODEL : TH-40CW



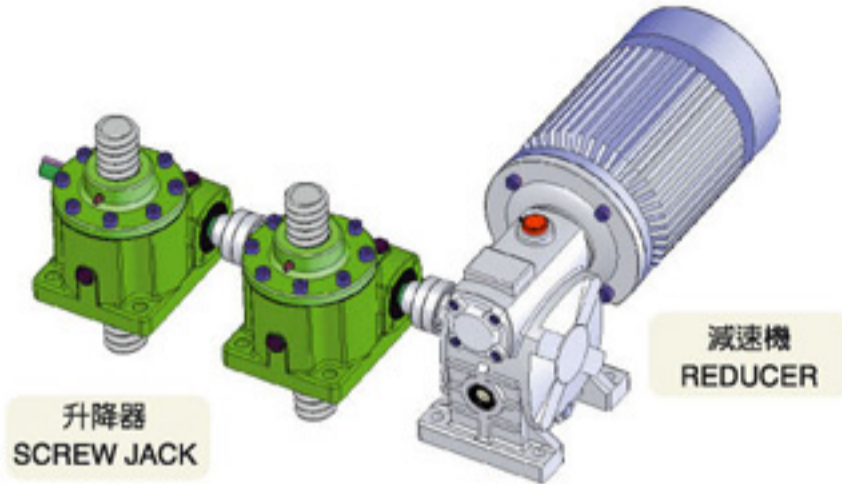
■ MODEL : TH-40DW





螺旋升降器與轉向器應用範例 EXAMPLES OF APPLICATION

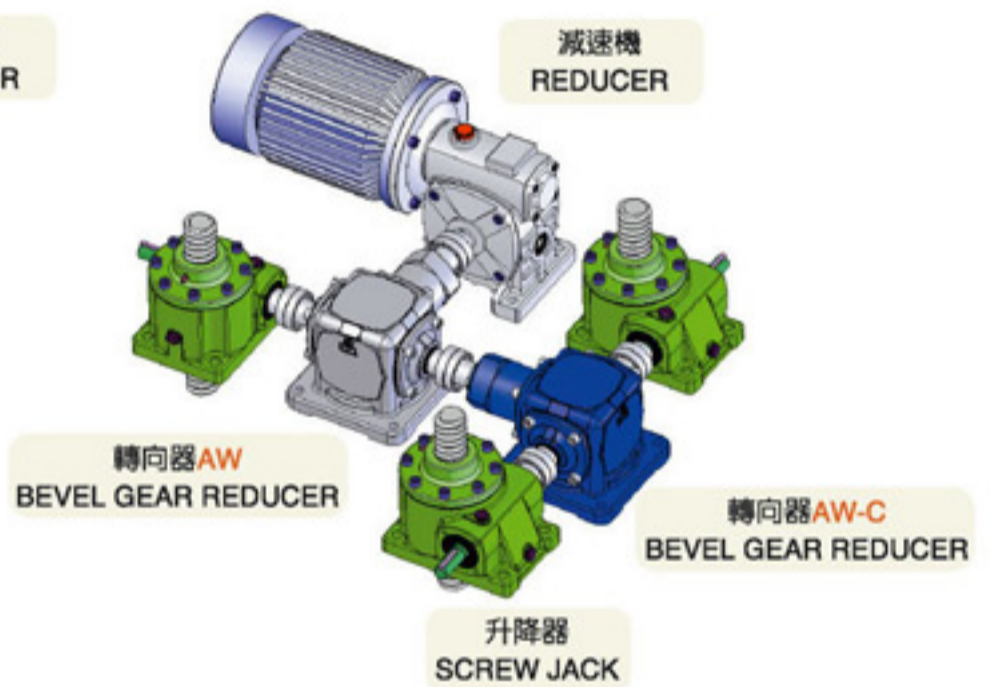
■ I-TYPE



■ T-TYPE



■ MODIFIED T-TYPE 變化式



■ U-TYPE



■ H-TYPE

