

**HORIZONTAL**



**STANDARD**



**DOUBLE SHAFT**



**MOTOR PLUG IN**



**MULTI-STAGE**



**MULTI-STAGE  
DOUBLE SHAFT**



**NEW STYLE**

**VERTICAL**



**STANDARD**



**DOUBLE SHAFT**



**MOTOR PLUG IN**



**MULTI-STAGE**



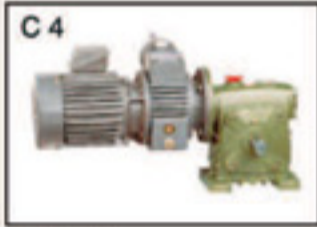
**MULTI-STAGE  
DOUBLE SHAFT**



**RCGH**



**RCGV**



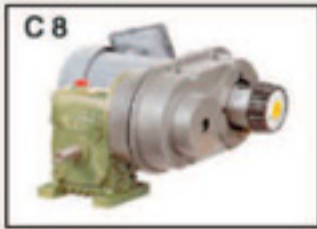
**RCGW**



**GRV-H**



**GRV-V**



**WRV-H**



**WRV-V**



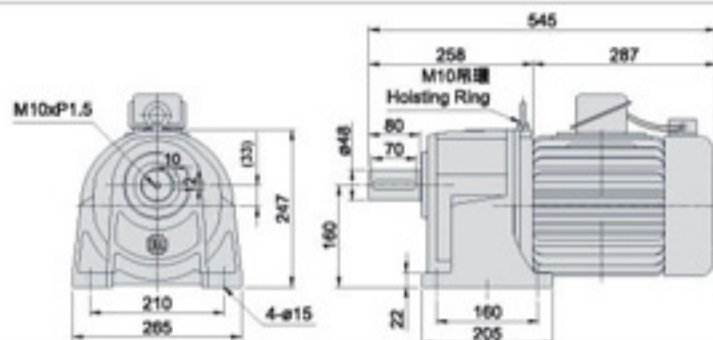
## 新型減速機系列

## NEW STYLE GEAR REDUCER SERIES

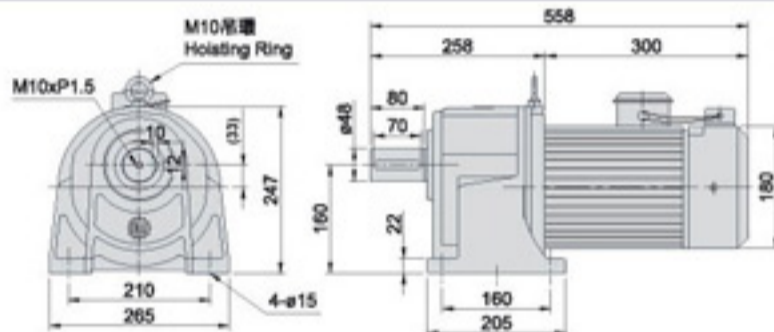
### 停車設備用減速機規格表 SPECIFICATION OF NEW STYLE REDUCER

型號 Model	馬達外殼 Motor Outer Shell	減速比 Ratio	馬力/極數 HP/POLE	頻率Frequency 電壓Voltage	剎車 Brake	重量kg Weight	其它功能 Other Feature
H48B	銑殼 Cast Iron	40 50 60 70 80	3HP/4P	50/60HZ	DC Brake	63	附機械定位裝置 Mechanical Positioning Devices Are Attached
H48C	鋁合金 Aluminum			可選擇: Selection		56	
H48G	鋁合金 Aluminum			1.220/440V 2.220/380V		57	
H310E	銑殼 Cast Iron			63			

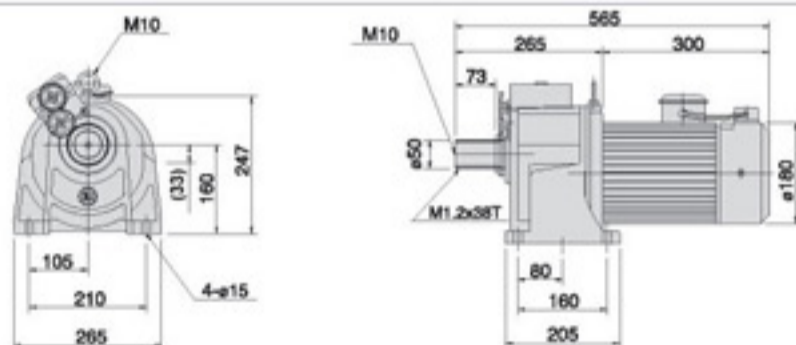
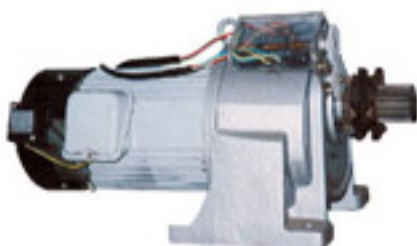
### MODEL: LM-H48B



### MODEL: LM-H48C



### MODEL: LM-H48G



### MODEL: HB48





# 機種、型式表示

## DESCRIPTION OF TYPE & MODEL

**LM** - **H** - **205** - **I** - **20** - **A** - **OH**

公司代號  
COMPANY  
NAME

機型  
TYPE

型號  
MODEL

馬力  
HOUSE  
POWER

速比  
RATIO

馬達  
MOTOR

使用方向  
OPERATION  
DIRECTION

請參閱型號  
速比一覽表

1/4HP~75HP

二段式  
TWO-STAGE  
1/3~1/40  
三段式  
THREE-STAGE  
1/40~1/200  
連結式  
MULTI-STAGE  
1/200~1/6000

A 三相  
3 PHASE  
B 煞車  
BRAKE  
C 特殊  
SPECIAL  
S 單相  
SINGLE  
PHASE

### 利明牌齒輪減速機馬力型號速比一覽表 Selection Table Of HP & Model

馬力 HP-4P(6P)	型號 MODEL	減速比 RATIO
<b>1/4</b>	201	5 10 15 20 25 30
	203	35 40
	304	50 60 70 80 90 100 110 120 ※150
(1/8)	306	130 140 150 160 170 180 190 200
<b>1/2</b>	202	5 10
	203	10 15 20 25 30
	205	35 40 45 50
	※304	35 40 50 60
	306	60 70 80 90 100 110 120
(1/4)	308	130 140 150 160 170 180 190 200
<b>1</b>	205	5 10 15 20 25 30
	207	35 40
	308	40 50 60 70 80 90 100 110 120
(1/2)	310	130 140 150 160 170 180 190 200
<b>2</b>	206	5 10
	207	15 20 25 30
	209	35 40
	※308	35 40
	310	40 50 60 70 80 90 100 110 120
	(1)	312
<b>3</b>	208	5 10
	209	15 20 25 30
	211	35 40
	※310	40 50 60
	312	50 60 70 80 90 100 110 120
	(2)	314
<b>5</b>	210	5 10
	211	15 20 25 30
	312	40 50 ※60
	314	60 70 80 90 100 110 120
	(3)	315

馬力 HP-4P(6P)	型號 MODEL	減速比 RATIO
<b>7 1/2</b>	212	5 10
	213	15 20 25 30
	314	35 40 50 ※60
	315	60 70 80 90 100 110 120
	(5)	317
<b>10</b>	212	5 10
	214	15 20 25 30
	315	35 40 50 ※60
	316	60 70 80 90 100 110 120
	(7 1/2)	318
<b>15</b>	213	5 10
	215	15 20 25 30
	316	35 40 50 ※60
	317	60 70 80 90 100 110 120
	(10)	318
<b>20</b>	215	5 10
	216	15 20 25 30
	317	40 50 ※60
	318	60 70 80 90 100 110 120
	(15)	319
<b>25</b>	216	5 10
	217	15 20 25 30
	317	40 50 ※60
	318	60
	(20)	319
<b>30</b>	217	5 10 15 20 25 30
	318	40 50 60
	319	70 80 90 100 110 120
	(25.30)	319
<b>50</b>	218	5 10
	(40)	219
<b>60</b>	218	5 10
	(50)	219
<b>75</b>	219	5 10
	(60)	220

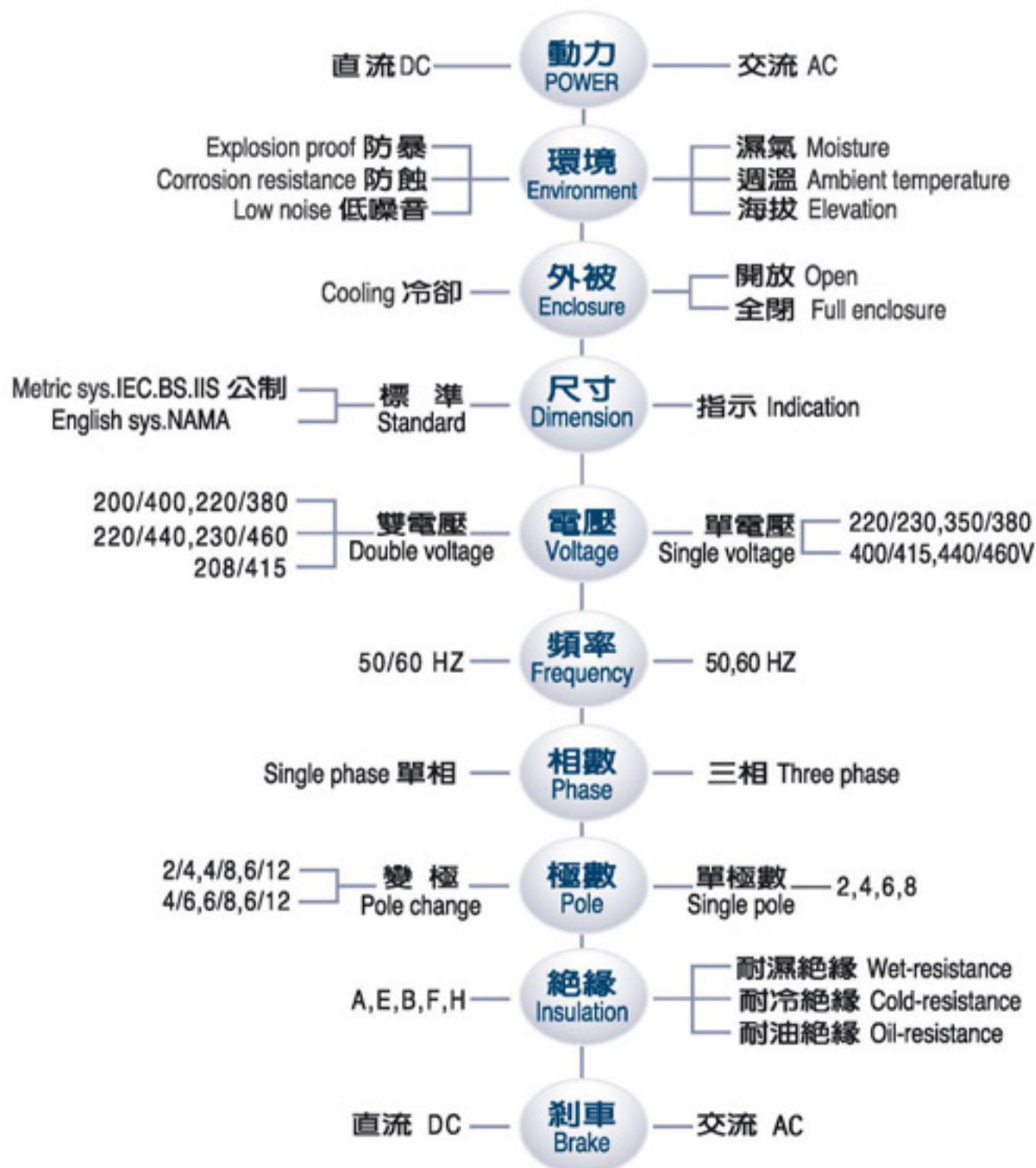
1. 表輕負荷使用 ※Are used for light loading
2. 亦可訂製其他不定速比 Other ratios are available upon request
3. 減速比5,10,15,20,25,30,35,40,50,60,70,80,90,100,120,150,200屬於標準品，其餘皆屬於特殊品。  
Standard gear ration are 5,10,15,20,25,30,35,40,50,60,70,80,90,100,120,150,200 Others are special specifications.

## 一般注意事項

- ◆ 電源：單相、三相、電壓週率、變壓器容量等。
- ◆ 負載機械：所需馬力數，負載轉矩特性。
- ◆ 特殊使用條件：
  1. 急速逆轉或停止。
  2. 起動停止頻繁。
  3. 需特別大之起動轉矩。
  4. 與往復運動機械連結時。

## General Notices

- ◆ Electricity: single phase, 3 phase, voltage frequency, capacity of transformer, etc.
- ◆ Loading machine: required horse power, load torque characteristics.
- ◆ Special Conditions of Use:
  1. Rush reverse or stop.
  2. Frequent start-up or stop.
  3. Specially large start-up torque required.
  4. Where linking with backward traveling machinery.



- ◆ 利明牌齒輪減速機之標準品使用低壓、三相感應馬達、IEC尺寸、全封閉外扇鼠籠型轉子。

LIMING standard gear reducers use low voltage, 3 phase induction motor, IEC dimension, full-enclosed outer fan cage rotor.

- ◆ 馬達尺寸請參考「IEC標準馬達尺寸參考表」(第W1頁)

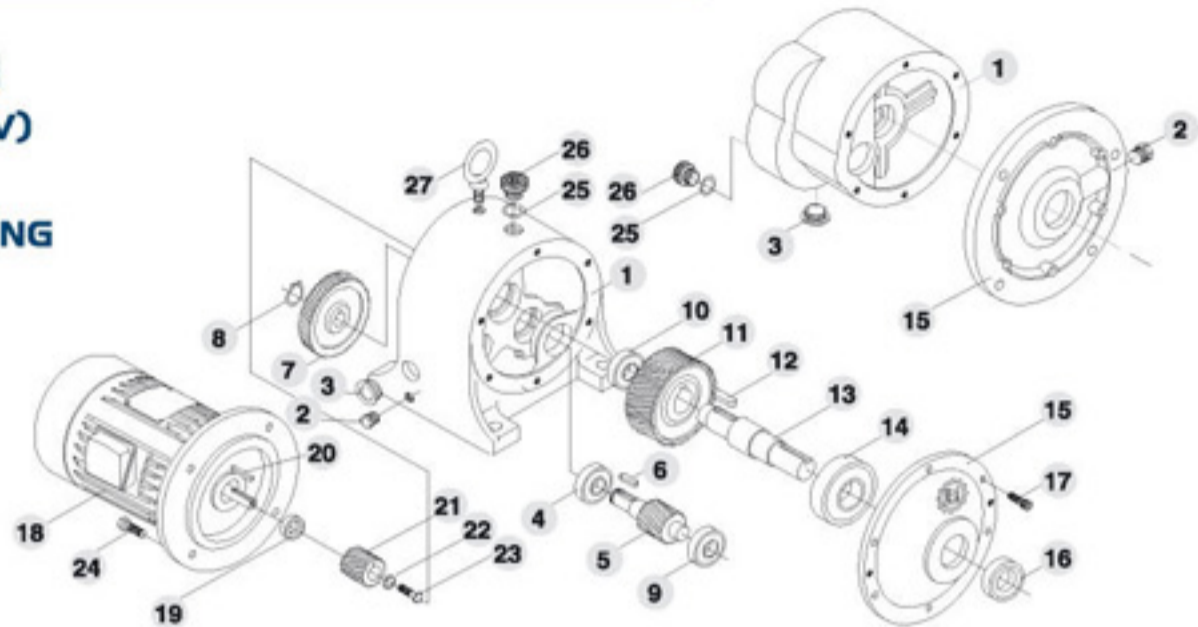


# 分解系統圖 SYSTEM DRAWING

## ■ 二段式分解系統圖

### ■ MODEL:LMH(LMV)

#### 2-STAGE SYSTEM DRAWING

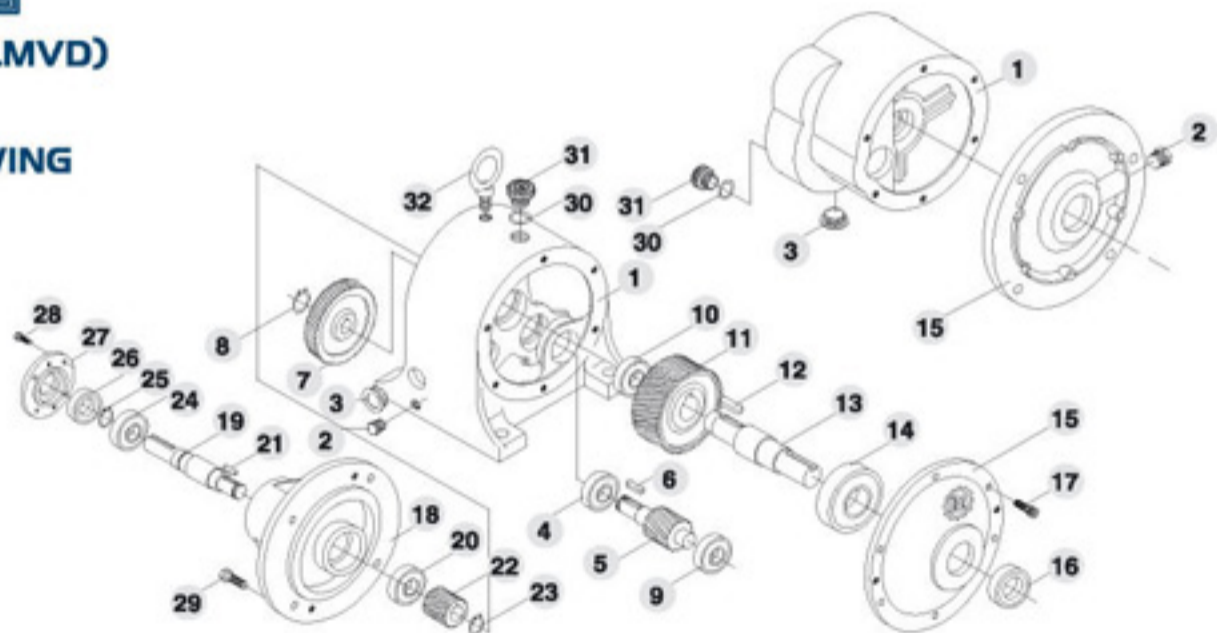


NO.	零件名稱	NAME OF PARTS	NO.	零件名稱	NAME OF PARTS	NO.	零件名稱	NAME OF PARTS
1	本體	Outer shell	11	D齒輪	Gear	21	A齒輪	Gear
2	排油栓	Drain plug	12	鍵	Key	22	華司(or扣環)	Washer or Snap ring
3	油鏡	Oil gauge	13	出力軸	Output Shaft	23	六角螺絲	Hexagon head bolt
4	軸承	Bearing	14	軸承	Bearing	24	六角螺絲	Hexagon head bolt
5	C齒輪軸	Gear shaft	15	前蓋	Front Cover	25	O型環	O ring
6	鍵	Key	16	油封	Oil Seal	26	加油蓋	Oil Plug
7	B齒輪	Gear	17	立式：內六角螺絲 臥式：外六角螺絲	Hex. screw	27	吊環	Hoisting ring
8	扣環	Snap ring	18	馬達	Motor			
9	軸承	Bearing	19	油封	Oil Seal			
10	軸承	Bearing	20	鍵	Key			

## ■ 二段式分解系統圖

### ■ MODEL:LMHD(LMVD)

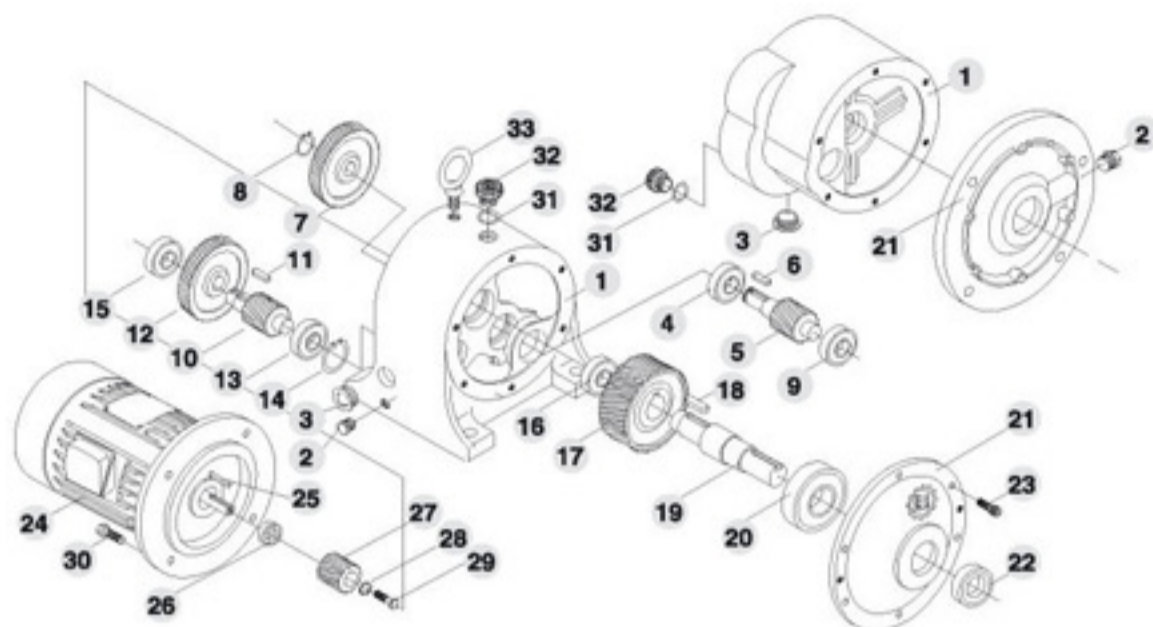
#### 2-STAGE SYSTEM DRAWING



NO.	零件名稱	NAME OF PARTS	NO.	零件名稱	NAME OF PARTS	NO.	零件名稱	NAME OF PARTS
1	本體	Outer shell	12	鍵	Key	23	扣環	Snap ring
2	排油栓	Drain plug	13	出力軸	Output Shaft	24	軸承	Bearing
3	油鏡	Oil gauge	14	軸承	Bearing	25	扣環	Snap ring
4	軸承	Bearing	15	前蓋	Front Cover	26	油封	Oil Seal
5	C齒輪軸	Gear Shaft	16	油封	Oil Seal	27	小蓋	Small Cover (71/2HP以上使用)
6	鍵	Key	17	立式：內六角螺絲 臥式：外六角螺絲	Hex. screw	28	六角螺絲	Hexagon head bolt
7	B齒輪	Gear	18	入力軸大蓋	Big Cover	29	六角螺絲	Hexagon head bolt
8	扣環	Snap ring	19	入力軸	Input Shaft	30	O型環	O ring
9	軸承	Bearing	20	軸承	Bearing	31	加油蓋	Oil Plug
10	軸承	Bearing	21	鍵	Key	32	吊環	Hoisting ring
11	D齒輪	Gear	22	A齒輪	Gear			

## ■ 三段式分解系統圖

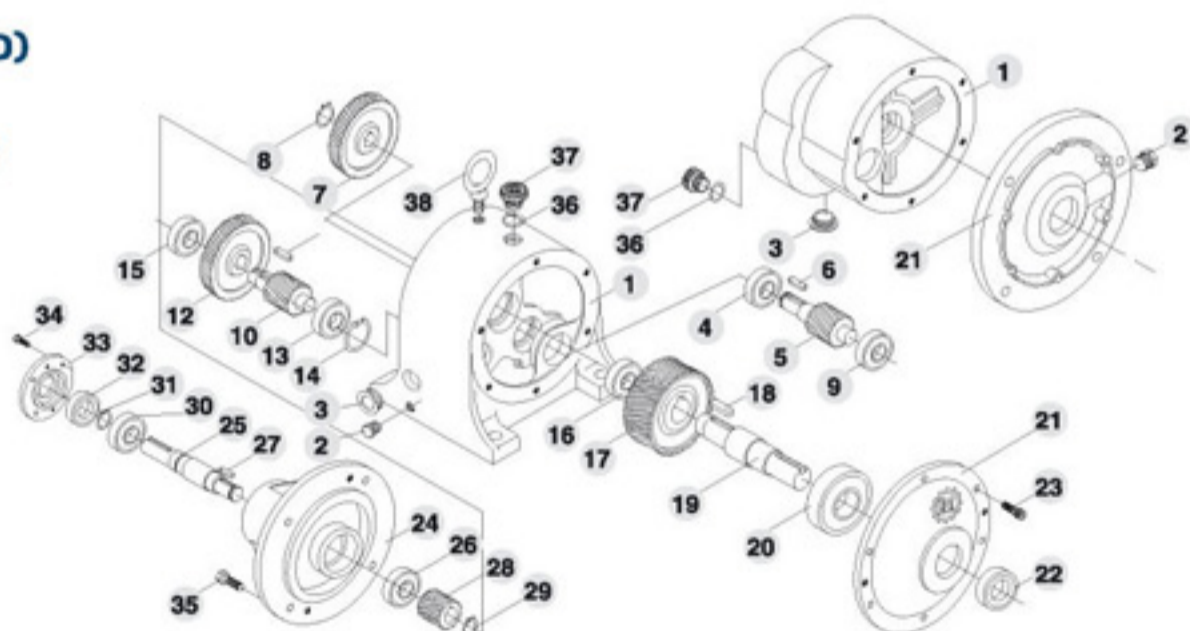
## ■ MODEL:LMH(LMV)

3-STAGE  
SYSTEM DRAWING

NO.	零件名稱	NAME OF PARTS	NO.	零件名稱	NAME OF PARTS	NO.	零件名稱	NAME OF PARTS
1	本體	Outer shell	13	軸承	Bearing	25	鍵	Key
2	排油栓	Drain plug	14	R扣環	R Snap ring	26	油封	Oil Seal
3	油鏡	Oil gauge	15	軸承	Bearing	27	A齒輪	Gear
4	軸承	Bearing	16	軸承	Bearing	28	華司(or扣環)	Washer or Snap ring
5	C齒輪軸	Gear Shaft	17	D齒輪	D Gear	29	六角螺絲	Hexagon head bolt
6	鍵	Key	18	鍵	Key	30	六角螺絲	Hexagon head bolt
7	B(F)齒輪	Gear	19	出力軸	Output Shaft	31	O型環	O ring
8	扣環	Snap ring	20	軸承	Bearing	32	加油蓋	Oil Plug
9	軸承	Bearing	21	前蓋	Front Cover	33	吊環	Hoisting ring
10	A(E)齒輪軸	Gear Shaft	22	油封	Oil Seal			
11	鍵	Key	23	立式：內六角螺絲 臥式：外六角螺絲	Hex. screw			
12	B齒輪	Gear	24	馬達	Motor			

## ■ 三段式分解系統圖

## ■ MODEL:LMHD(LMVD)

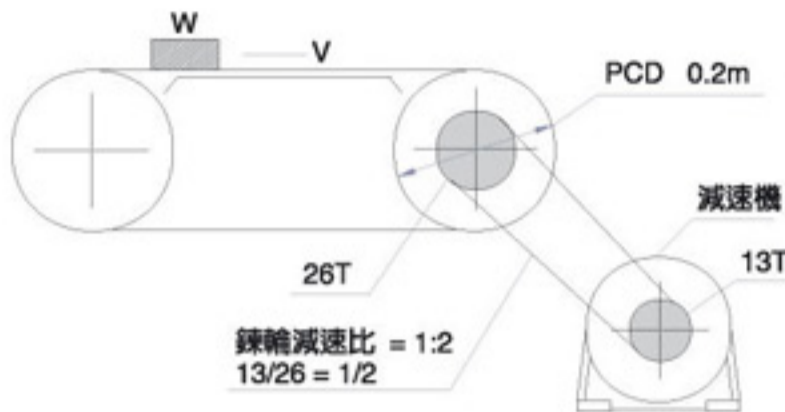
3-STAGE  
SYSTEM DRAWING

NO.	零件名稱	NAME OF PARTS	NO.	零件名稱	NAME OF PARTS	NO.	零件名稱	NAME OF PARTS
1	本體	Outer shell	14	R扣環	R Snap ring	27	鍵	Key
2	排油栓	Drain plug	15	軸承	Bearing	28	A齒輪	Gear
3	油鏡	Oil gauge	16	軸承	Bearing	29	扣環	Snap ring
4	軸承	Bearing	17	D齒輪	D Gear	30	軸承	Bearing
5	C齒輪軸	Gear Shaft	18	鍵	Key	31	扣環	Snap ring
6	鍵	Key	19	出力軸	Output Shaft	32	油封	Oil Seal
7	B(F)齒輪	Gear	20	軸承	Bearing	33	小蓋	Small Cover (71/2HP以上使用)
8	扣環	Snap ring	21	前蓋	Front Cover	34	六角螺絲	Hexagon head bolt
9	軸承	Bearing	22	油封	Oil Seal	35	六角螺絲	Hexagon head bolt
10	A(E)齒輪軸	Gear Shaft	23	立式：內六角螺絲 臥式：外六角螺絲	Hex. screw	36	O型環	O ring
11	鍵	Key	24	入力軸大蓋	Big Cover	37	加油蓋	Oil Plug
12	B齒輪	Gear	25	入力軸	Input Shaft	38	吊環	Hoisting ring
13	軸承	Bearing	26	軸承	Bearing			



# 減速機之選定範例 EXAMPLE OF SELECTION

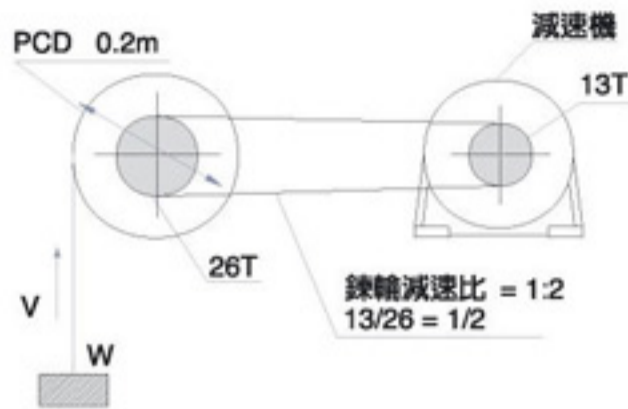
## 例一：Example I



- ◆搬運物總重量：W=600kg
- ◆搬送速度：V=9.5m/min
- ◆與導軌之摩擦係數： $\mu=0.15$
- ◆鍊輪傳動效率： $\eta_1=0.95$
- ◆減速機傳動效率： $\eta_2=0.9$
- ◆運轉時間：8小時/日
- ◆起動次數：1回/分，中衝擊
- ◆使用電源：三相220V, 60Hz
- ◆ Total weight of cargo:W=600kg
- ◆ Carrying speed:V=9.5m/min
- ◆ Friction coefficient to guiding rail:  $\mu=0.15$
- ◆ Chain pulley transmission coefficient:  $\eta_1=0.95$
- ◆ Gear reducer transmission coefficient:  $\eta_2=0.9$
- ◆ Operation time: 8 hour/day
- ◆ Start frequency:1 time/min.,medium shock
- ◆ Power: 3 phase 220V, 60Hz

減速比 Ratio	選定之注意事項 Notices Calculation Example	計算範例 Load Condition Notices Calculation Example																										
	<p>藉由必要的入力軸回轉數及出力軸回轉數來選定減速比</p> <p>1.先求出輸送帶滾輪回轉數(N1) N1 = 搬送速度 / (滾輪直徑 × π)</p> <p>2.再求出減速機出力軸回轉數(N2) N2 = N1 × (鍊輪齒數 / 減速機齒數)</p> <p>3.以3φ,60Hz之馬達計算減速比(τ) τ = 出力軸回轉數 / 入力軸回轉數 (馬達轉速N)</p> <p>Reduction Ratio Notices Calculation Example The reduction ratio is based on input/output shaft revolutions.</p> <p>1.Find the revolution of conveyer pulley (N1) first N1=carrying speed/ (pulley D x π)</p> <p>2.Find the output shaft revolution of gear reducer (N2) N2= N1 x (chain pulley speed/gear number of reducer)</p> <p>3.Calculate reduction ratio (τ) based on 3φ,60Hz motor τ=output shaft revolution/input shaft revolution motor rpm N)</p>	<p>1. N1 = V / (D x π) = 9.5 / (0.2 x 3.14) = 15 r/min (RPM)</p> <p>2. N2 = N1 x (26 / 13) = 15 x 2/1 = 30 r / min (RPM)</p> <p>3. τ = N2 / N = 30 / 1800 = 1 / 60 (馬達轉速，motor RPM，input rpm)</p>																										
扭力 Torque	<p>決定減速比後，由使用機械之條件換算其扭力</p> <p>1.先算出輸送帶滾輪之扭力(T1) T1 = (μ × 荷重 × 滾輪半徑) / η1</p> <p>2.再換算成減速機出力軸所需扭力(T2) T2 = (T1 × 鍊輪減速比) / η2</p> <p>Torque Notices Calculation Example</p> <p>After reduction ratio is decided, calculate the torque by the pulley reducers radius condition of the machine used.</p> <p>1. Find the torque of conveyer pulley (T1) T1 = (μ x load x pulley radius) / η1</p> <p>2. Find the torque needed from the output shaft of reducer (T2) T2= (T1 x reduction ratio of chain pulley) η2</p>	<p>1.T1 = μ x W (D / 2) / η1 = 0.15 x 600 x (0.2 / 2) / 0.95 = 9.5 kgf-m</p> <p>2.T2 = (T1 x 1/2) / η2 =(9.5 x 1/2) / 0.9 = 5.28 kgf-m</p>																										
負荷條件 Load conditions	<p>選定之注意事項 Notices Calculation Example</p> <table border="1"> <thead> <tr> <th rowspan="2">原動機 Prime Mover</th> <th rowspan="2">傳動機負荷等級 Driven machine Load Classification</th> <th colspan="4">每日使用時間 Duration of Service per day</th> </tr> <tr> <th>0.50 hr</th> <th>2 hrs</th> <th>8-10 hr</th> <th>10-24 hr</th> </tr> </thead> <tbody> <tr> <td rowspan="3">電動機 Electric Motor</td> <td>均一負荷 Uniform</td> <td>0.80</td> <td>0.90</td> <td>1.00</td> <td>1.25</td> </tr> <tr> <td>中衝擊 Medium Shock</td> <td>0.90</td> <td>1.00</td> <td>1.25</td> <td>1.50</td> </tr> <tr> <td>重衝擊 Heavy Shock</td> <td>1.00</td> <td>1.25</td> <td>1.50</td> <td>1.75</td> </tr> </tbody> </table> <p>補正扭力 = 減速機出力軸扭力 × 系數 Corrective torque = reducer shaft torque x coefficient</p>	原動機 Prime Mover	傳動機負荷等級 Driven machine Load Classification	每日使用時間 Duration of Service per day				0.50 hr	2 hrs	8-10 hr	10-24 hr	電動機 Electric Motor	均一負荷 Uniform	0.80	0.90	1.00	1.25	中衝擊 Medium Shock	0.90	1.00	1.25	1.50	重衝擊 Heavy Shock	1.00	1.25	1.50	1.75	<p>計算範例 Load Condition Notices Calculation Example</p> <p>T3 = T2 x K = 5.28 x 1.25 = 6.6 kgf-m</p>
原動機 Prime Mover	傳動機負荷等級 Driven machine Load Classification			每日使用時間 Duration of Service per day																								
		0.50 hr	2 hrs	8-10 hr	10-24 hr																							
電動機 Electric Motor	均一負荷 Uniform	0.80	0.90	1.00	1.25																							
	中衝擊 Medium Shock	0.90	1.00	1.25	1.50																							
	重衝擊 Heavy Shock	1.00	1.25	1.50	1.75																							
馬力 Horse Power	<p>選定之注意事項 Notices Calculation Example</p> <p>1.最後換算成馬力(Hp) Hp = (補正扭力 × 出力軸轉數) / 716.2</p> <p>1. Find horse power (Hp) Hp=(corrective torque x revolution of output shaft) / 716.2</p>	<p>計算範例 Load Condition Notices Calculation Example</p> <p>Hp = (T3 x N2) / 716.2 = (6.6 x 35) / 716.2 = 0.3 1/2Hp 馬達適用(For 1/2 Hp motor)</p>																										
型號選定 Model Selected	<p>根據本目錄之型號速比對照表1/2Hp、減速比1/60，型號306適用。 According to the model-reduction ratio reference table,model 306, 1/2 Hp, reduction ratio 1/60 are selected.</p>																											

例二：Example 2



- ◆ 搬運物總重量：W=600kg
- ◆ 搬送速度：V=9.5m/min
- ◆ 鍊輪傳動效率： $\eta_1=0.95$
- ◆ 減速機傳動效率： $\eta_2=0.9$
- ◆ 運轉時間：8小時/日
- ◆ 起動次數：1回/分，中衝擊
- ◆ 使用電源：三相220V, 60Hz
- ◆ Total weight of cargo:W=600kg
- ◆ Carrying speed:V=9.5m/min
- ◆ Chain pulley transmission coefficient: $\eta_1=0.95$
- ◆ Gear reducer transmission coefficient: $\eta_2=0.9$
- ◆ Operation time: 8 hour/day
- ◆ Start frequency:1 time/min.,medium shock
- ◆ Power: 3 phase 220V, 60Hz

減速比 Ratio	選定之注意事項 Notices Calculation Example	計算範例 Load Condition Notices Calculation Example
	<p>藉由必要的輸入軸回轉數及輸出軸回轉數來選定減速比</p> <p>1.先求出輸送帶滾輪回轉數(N1) N1=搬送速度 / (滾輪直徑 x <math>\pi</math>)</p> <p>2.再求出減速機出力軸回轉數(N2) N2=N1 x 鍊輪齒數減速比</p> <p>3.以3<math>\phi</math>,60Hz之馬達計算減速比(<math>\tau</math>) <math>\tau</math>=輸出軸回轉數 / 輸入軸回轉數 (馬達轉速N)</p> <p>Reduction Ratio Notices Calculation Example The reduction ratio is based on input/output shaft revolutions.</p> <p>1.Find the revolution of conveyer pulley (N1) first N1=carrying speed/ (pulley D x <math>\pi</math>)</p> <p>2.Find the output shaft revolution of gear reducer (N2) N2= N1 x (chain pulley speed/gear number of reducer)</p> <p>3.Calculate reduction ratio(<math>\tau</math>) based on 3<math>\phi</math>,60Hz motor <math>\tau</math>=output shaft revolution/input shaft revolution motor rpm N)</p>	<p>1. N1 = V / (D x <math>\pi</math>) = 9.5 / (0.2 x 3.14) = 15 r/min</p> <p>2. N2 = N1 / i = 15 / (2/1) = 30 r/min</p> <p>3. <math>\tau</math> = 出力軸回轉數 / 輸入軸回轉數 = 30 / 1800 = 1 / 60 (馬達轉速)</p>
扭力 Torque	<p>決定減速比後，由使用機械之條件換算其扭力</p> <p>1.先算出輸送帶滾輪之扭力(T1) T1=(<math>\mu</math> x 荷重 x 滾輪半徑) / <math>\eta_1</math></p> <p>2.再換算成減速機出力軸所需扭力(T2) T2=(T1 x 鍊輪減速比) / <math>\eta_2</math></p> <p>Torque Notices Calculation Example After reduction ratio is decided, calculate the torque by the condition of the machine used.</p> <p>1. Find the torque of conveyer pulley (T1) T1= (<math>\mu</math> x load x pulley radius) / <math>\eta_1</math></p> <p>2. Find the torque needed from the output shaft of reduce(T2) T2= (T1 x reduction ratio of chain pulley) / <math>\eta_2</math></p>	<p>1. T1 = W (D/2) x (1 / <math>\eta_1</math>) = 600 x (0.2/2) = 60 kg-m</p> <p>2. T2 = T1 x 1/2 x 1 / <math>\eta_2</math> = 60 x 1/2 x 1/0.9 = 33.3 kg-m</p>
負荷條件 Load conditions	<p>選定之注意事項 Notices Calculation Example</p> <p>1.根據運轉條件算出補正扭力(T3) T3=T2 x 運轉條件 (係數K)</p> <p>1. Find corrective torque (T3) according to operation condition T3=T2 x operation condition (coefficient K)</p>	<p>計算範例 Load Condition Notices Calculation Example</p> <p>T3 = T2 x K = 33.3 x 1 = 33.3 kgf-m</p>
馬力 Horse Power	<p>選定之注意事項 Notices Calculation Example</p> <p>1.最後換算成馬力(Hp) Hp=(T x N) / 716.2</p> <p>1.Find horse power (Hp) Hp=(T x N) / 716.2</p>	<p>計算範例 Load Condition Notices Calculation Example</p> <p>Hp = (T x N) / 716.2 = (33.3 x 30) / 716.2 = 1.39 .....(2HP)</p>
型號選定 Model Selected	<p>根據本目錄之型號速比對照表2HP、減速比1/60，型號310適用。 According to the model-reduction ratio reference table,model 310, 2 HP, reduction ratio 1/60 are selected.</p>	

常用的公式集 Frequently Used Formula

欲知的條件 Intended Conditions	已知的條件 Known Conditions	公式 Formula
扭力(Torque) T	動力(F)與半徑(R) / 馬力(Hp)與回轉數(N)(r.p.m.)	T = F x R (kgf-m)
扭力(Torque) T	動力(Kw)與回轉數(N)(r.p.m.) / 扭力(T)與回轉數(N)(r.p.m.)	T = (716 x Hp) / N (kgf-m)
扭力(Torque) T	扭力(T)與回轉數(N)(r.p.m.) / 重力(F)與速度(V)(m/sec)	T = (974 x Kw) / N (kgf-m)
馬力(Horse Power) Hp	重力(F)與速度(V)(m/sec) / 齒輪、皮帶輪等的直徑(D)與回轉數(N)(rpm)	Hp = (T x N) / 716.2 (馬力)
動力(Power) Kw	動力(F) & Radius (R) Horse power(Hp) & Revolution(N)(r.p.m.)	Kw = (T x N) / 974 (千瓦)
馬力(Horse) Hp	Power (Kw) & Revolution(N)(r.p.m.) / Torque (T) & Revolution(N)(r.p.m.)	Hp = (F x V) / 75 (馬力)
動力(Power) Kw	Torque (T) & Revolution(N)(r.p.m.) / Gravity (F) & Velocity (V) (m/sec)	Kw = (F x V) / 102 (千瓦)
速度(Velocity) V	Gravity (F) & Velocity (V) (m/sec)	V = ( $\pi$ x D x N) / 60 (m/sec)
減速比 (Reduction Ratio) i	Diameter (D)of gear and belt pulley & revolution (N) (r.p.m.) Input shaft revolution (N1) & Output / shaft revolution (N2)	i = N1 / N2





### ■ 減速機安裝

#### Usage and Installation

##### 使用前檢查

- ◆ 檢查機種、型號、馬力、軸方向、減速比回轉方向及入力軸出力軸回轉數是否符合。
- ◆ 注意檢查注油情況，先確定是否有油，並保持油量在油面計一半以上。

##### 場所

- ◆ 須裝置於平且堅固的底部。
- ◆ 安裝之環境須乾燥且通風良好，周圍溫度 $0^{\circ}\text{C}\sim 40^{\circ}\text{C}$ 異常高溫或低溫時請註明。
- ◆ 使用前請拔掉加油蓋上的插栓。

##### 連結方式

- ◆ 當聯接器用以聯接入力或出力軸時，須確實固定並務使兩軸平行，底座須以適當螺栓，確保固鎖緊密。
- ◆ 所有配備均應輕裝於軸上，勿使用鐵鎚，並避免裝配過緊而引起軸承損壞。
- ◆ 滑輪、鏈輪或齒輪在裝配時應盡量靠近軸承以減少彎曲應力。使用適當大小（在出力軸徑的6倍以內）與出力軸連接之鍊輪，皮帶輪等請配合H7公差使用，可避免發出異聲與軸面受損。
- ◆ VB、HB型入力孔可加添適當黃油，避免孔徑過度磨損及發出異聲。
- ◆ 軸面可塗上防鏽塗料避免生鏽。

##### 馬達

- ◆ 電源電壓變動大於10%時，馬達會有燒燬之虞，並使出力軸扭力降低或異常。
- ◆ 馬達超負荷使用有燒燬之虞。
- ◆ 馬達結線錯誤會導致馬達燒燬。
- ◆ 濕氣過重的環境會使煞車馬達的煞車器產生鏽蝕，失去煞車功能。
- ◆ 搭配變頻器使用時，如常使用於低頻，請使用變頻專用馬達。

##### CHECK BEFORE OPERATING

- ◆ Check if the model, model No., horse power, shaft direction, reduction ratio, revolution direction and input/output shaft revolutions are in accordance with the standard.
- ◆ Check carefully the oil level to make sure that the oil volume is sufficient and maintains above the middle of oil gauge.

##### PLACE

- ◆ A flat and solid base is one of the requirements for installation.
- ◆ The environment for installation shall be dry and well ventilated, with ambient temperature at  $0^{\circ}\text{C}$  to  $40^{\circ}\text{C}$ . Abnormal high or low temperature shall be dedicated.
- ◆ Please pull the pin out of the oil lid before use.

##### CONNECTING METHOD

- ◆ If coupler is used to connect input or output shaft, make sure they are firmly fixed and paralleled. The base seat shall be anchored with proper bolts.
- ◆ All of the components shall be properly assembled to the shaft. Avoid hammering and over-tight assembly which could damage the bearing.
- ◆ The pulley, chain pulley and gear shall be assembled as close to the bearing as possible to minimize the curving stress. The chain pulley and belt pulley used to connect the output shaft shall be properly chosen (within 6 times as large as the diameter of output shaft) and used in accordance with H7 tolerance so as to keep out of abnormal noise and harm to the shaft surface.
- ◆ Proper amount of grease can be applied to VB and HB input hole to ensure the hole against over-wearing and making abnormal noise.
- ◆ The application of anti-rust paint can keep the shaft from rusting.

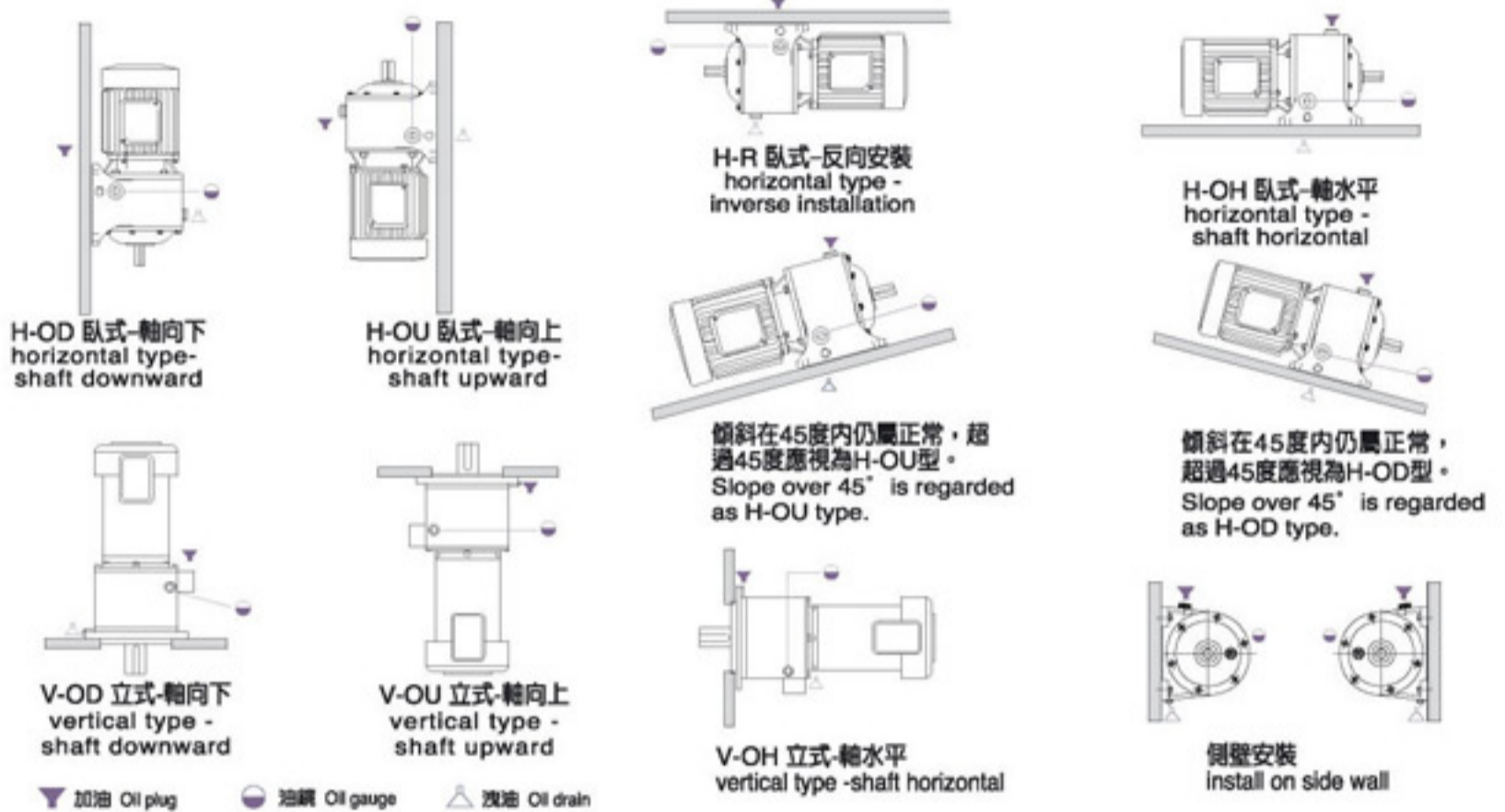
##### MOTOR

- ◆ The voltage variation over 10% could cause motor to burn out and reduce the torque of output shaft.
- ◆ Motor is subject to damage due to overload.
- ◆ Improper connection could cause motor to burn out.
- ◆ High-moisture environment could cause the brake of motor rusted and disabled.
- ◆ An appropriate motor shall be applied with the frequency converter while the low frequency is required in usual condition.

## ■ 減速機使用方向 Application of Gear Reducer

正常的使用方向可使減速機保持較高的壽命，非不得已的情況下盡量不要採用H-OU或V-OU的方式，因入力軸端的油封在高速運轉下，較出力軸端的油封容易損壞，而導致潤滑油由油封滲出，如須採用請註明，以特別處理。

The life time of gear reducer can be prolong with proper operation. Unless otherwise specified, H-OU or V-OU types of operation shall be avoid as much as possible, because the oil seal of input shaft could damage more easily than output shaft and thus result in leakage of lubricant.

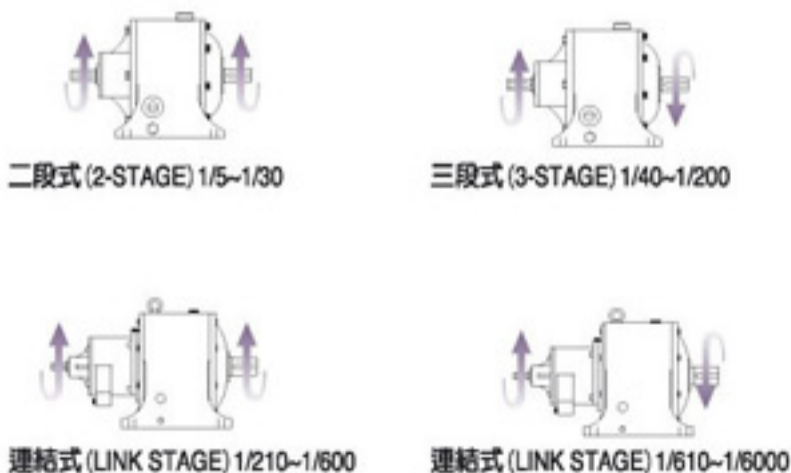


### 出力軸迴轉方向

二段式齒輪減速機的迴轉方向與入力的方向相同，三段式齒輪減速機的迴轉方向與入力的方向相反。

### Revolving Direction of Output Shaft

2-stage gear reducer revolves in the same direction as the input shaft, while 3-stage gear reducer does in the opposite direction.



### 馬達配線盒位置

安裝方向注意潤滑油加油便利，油量計可看見且配線容易，正常情況下，附馬達之減速機其配線盒位置和油鏡，油蓋位置如下圖，如有不同時，請註明。

### Position of Motor Wiring Box

Be aware that the installation direction of wiring box shall facilitate the filling of lubricant, the visibility of oil level and wiring. In normal condition, the positions of motor wiring box, oil gauge and oil lid is as shown below, unless otherwise specified.

#### ■ 標準配線盒及油鏡，加油口位置

Standard positions of wiring box, oil gauge, and oil filling entrance.



#### ■ 馬達配線盒之選擇 (以出力軸為準)

Selection of motor wiring box (based on output shaft)





## 潤滑油之選定

適當潤滑油的黏度，須使齒輪磨擦容易，遇高負荷及衝擊負荷時，減速機才能充分發揮其機能。

下表即“利明牌”減速機潤滑油的選定：

## SELECTION OF LUBRICANT OIL

Proper viscosity of lubricant is contributive to ease the friction of gears, so the speed reducer can fully apply its function in the case of high load or impact load. The table below shows the selection of lubricants for LI-MING speed reducers:

荷重 (LOAD)	周圍溫度 Ambient Temperature	中國石油 KUO-KUANG BRAND	SHELL OIL	MOBIL OIL	ISO VG
普通荷重 COMMON LOAD	- 5°C ~ 20°C	國光牌極壓機油 HD-150	OMALA OIL 150	MOBIL GEAR 629	ISO VG EP 150
	20°C ~ 40°C	國光牌極壓機油 HD-320	OMALA OIL 320	MOBIL GEAR 632	ISO VG EP 320
	40°C ~ 80°C	國光牌極壓機油 HD-460	OMALA OIL 460	MOBIL GEAR 634	ISO VG EP 460
超荷重 HEAVY LOAD	- 3°C ~ 20°C	國光牌極壓機油 HD-320	OMALA OIL 320	MOBIL GEAR 632	ISO VG EP 320
	20°C ~ 40°C	國光牌極壓機油 HD-460	OMALA OIL 460	MOBIL GEAR 634	ISO VG EP 460
	40°C ~ 80°C	國光牌極壓機油 HD-680	OMALA OIL 680	MOBIL GEAR 636	ISO VG EP 680

## 注意事項：

1. 本公司出廠減速機，使用國光牌極壓機油 HD-460。
2. 最初使用100小時後，洗淨內部、換上新油以後每2500小時換油。
3. 在高速、高溫、低速、重荷重、強制潤滑等特殊情況下使用場合，請與本公司洽商。
4. 潤滑油不足可能導致噪音和齒輪快速磨損。
5. 潤滑油過多可能導致漏油。
6. 請加入適當潤滑油至油量計一半以上（請參考下一頁油量表）。

## NOTICE:

1. LI-MING gear reducers use Kuo-Kuang Brand engine oil HD-460.
2. After initial 100 hours of usage, replace with new lubricant; then, do it every 2500 hours.
3. If to use in the special conditions, such as high speed, high temperature, low speed, heavy load, and forced lubrication, please contact our company.
4. Insufficiency of lubricant could cause noise and fast abrasion of gears.
5. Excessive of lubricant could lead to oil leakage.
6. Please fill proper lubricant above half position of the oil gauge. (see "OIL CAPACITIES" next page)

油量表：

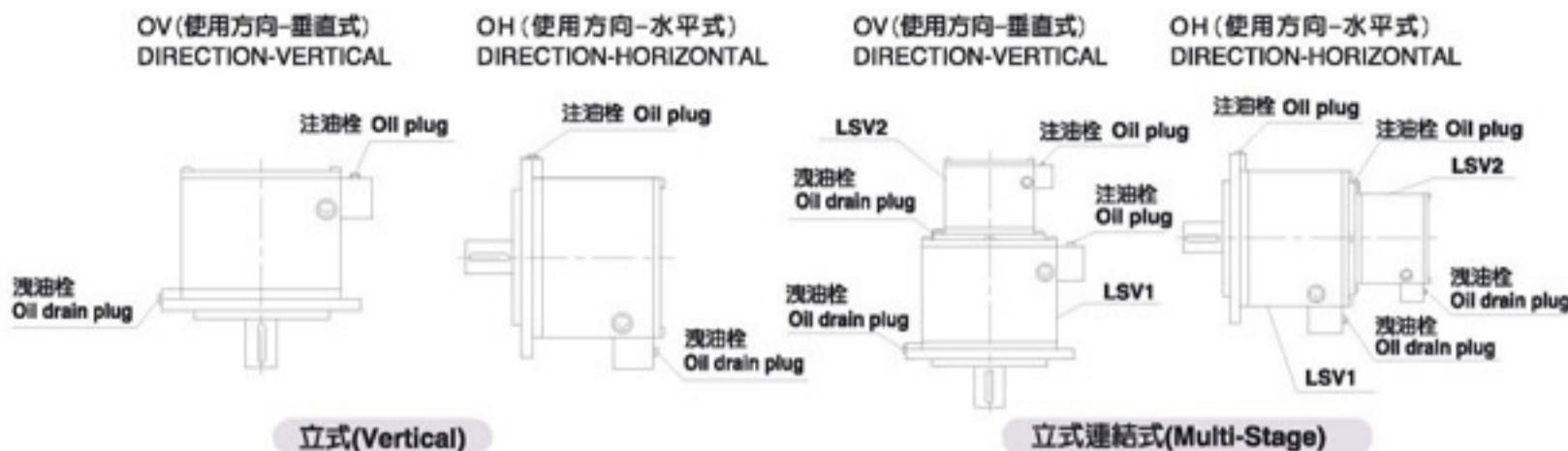
立式減速機依使用方向的不同而使用不同的油量，而油鏡及洩油孔位置亦不同，訂貨時請註明使用方向。臥式減速機之油量請參考尺寸表。

OIL CAPACITIES:

The capacity of lubricant oil and the positions of oil gauge and drain hole for the vertical speed reducers are based on use direction.

Please indicate the intended use direction when ordering.

Please refer to the table below for the lubricant oil



油量表(Oil capacities) 單位：公升(UNIT: l)

TYPE	LM-V		LM-VD		LM-VB	
	OH	OV	OH	OV	OH	OV
201	0.3	0.5	0.3	0.5	0.3	0.5
202	0.3	0.5	0.3	0.5	0.3	0.5
203	0.5	1.0	0.5	1.0	0.5	1.0
205	1.0	2.0	1.0	2.0	1.0	2.0
206	1.0	2.0	1.0	2.0	1.0	2.0
207	1.5	3.0	1.5	3.0	1.5	3.0
208	1.5	3.0	1.5	3.0	1.5	3.0
209	2.0	4.0	2.0	4.0	2.0	4.0
210	2.0	4.0	2.0	4.0	2.0	4.0
211	3.0	8.0	3.0	8.0	3.0	8.0
212	3.0	8.0	3.0	8.0	3.0	8.0
213	5.0	12	5.0	12	5.0	12
214	5.0	12	5.0	12	5.0	12
215	8.0	20	8.0	20	8.0	20
216	8.0	20	8.0	20	8.0	20
217	10	24	10	24	10	24
218	12	30	12	30	12	30
304	0.5	1.0	0.5	1.0	0.5	1.0
306	1.0	2.0	1.0	2.0	1.0	2.0
308	1.5	3.0	1.5	3.0	1.5	3.0
310	2.0	4.0	2.0	4.0	2.0	4.0
312	3.0	8.0	3.0	8.0	3.0	8.0
314	5.0	12	5.0	12	5.0	12
315	8.0	20	8.0	20	8.0	20
316	8.0	20	8.0	20	8.0	20
317	10	24	10	24	10	24
318	12	30	12	30	12	30

油量表(Oil capacities) 單位：公升(UNIT: l)

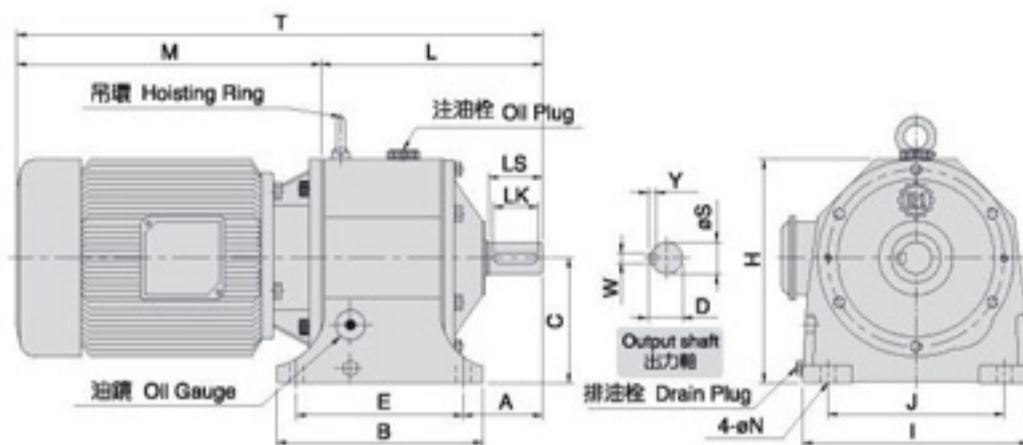
TYPE	LM-LSV				LM-LSVD			
	OH		OV		OH		OV	
MODEL	LSV1	LSV2	LSV1	LSV2	LSV1	LSV2	LSV1	LSV2
406	0.8	0.3	2.0	0.5	1.0	0.3	2.0	0.5
408	1.5	0.5	3.0	1.0	1.5	0.5	3.0	1.0
410	2.0	1.0	4.0	2.0	2.0	1.0	4.0	2.0
412	3.0	1.0	8.0	2.0	3.0	1.0	8.0	2.0
414	5.0	2.0	12	4.0	5.0	2.0	12	4.0
416	8.0	2.0	20	4.0	8.0	2.0	20	4.0
417	10	3.0	24	8.0	10	3.0	24	8.0
418	12	3.0	30	8.0	12	3.0	30	8.0
508	1.5	0.5	3.0	1.0	1.5	0.5	3.0	1.0
510	2.0	1.0	4.0	2.0	2.0	1.0	4.0	2.0
512	3.0	1.0	8.0	2.0	3.0	1.0	8.0	2.0
514	5.0	1.0	12	3.0	5.0	1.0	12	3.0
516	8.0	2.0	20	4.0	8.0	2.0	20	4.0
517	10	3.0	24	8.0	10	3.0	24	8.0
518	12	3.0	30	8.0	12	3.0	30	8.0
610	2.0	1.0	4.0	1.0	2.0	1.0	4.0	1.0
612	3.0	1.0	8.0	2.0	3.0	1.0	8.0	2.0
614	5.0	1.0	12	3.0	5.0	1.0	12	3.0
616	8.0	2.0	20	4.0	8.0	2.0	20	4.0
617	10	3.0	24	8.0	10	3.0	24	8.0
618	12	3.0	30	8.0	12	3.0	30	8.0



# 齒輪減速機系列 GEAR REDUCER SERIES

## ■ 臥式減速機 HORIZONTAL TYPE REDUCER

### ■ MODEL : H



## ■ 二段式 2-STAGE

### ■ 減速比 RATIO 1/3~1/30

尺寸表 Dimension

單位：m/m

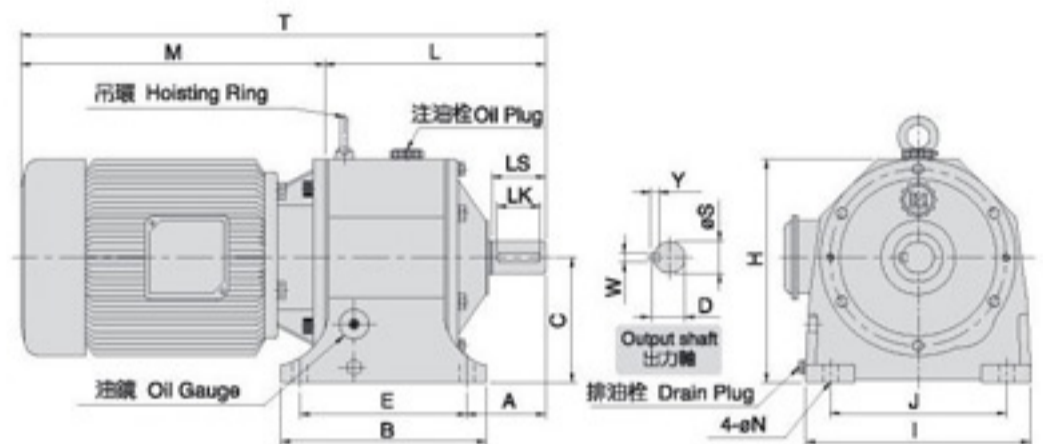
型號 MODEL	馬力 HP (4P)	減速比 RATIO	M	L	T	H	C	A	腳座 FOOT STOCK					出力軸 OUTPUT SHAFT				重量 Weight (KG)	油量 Oil (l)
									E	J	B	I	N	D	LS	S	W x Y x LK		
★H-201	1/4	3~30	225	165	390	170	90	53	125	140	155	180	10	21	38	19	5x5x30	9	0.5
★H-202	1/2	3~10	248	172	420	170	90	60	125	140	155	180	10	27	45	24	7x7x35	9	0.5
H-203	1/4	31~50	225	180	405	190	110	62	135	145	170	190	13	27	45	24	7x7x35	12	0.7
	1/2	11~30	248	180	428	190	110	62	135	145	170	190	13	27	45	24	7x7x35	12	0.7
H-205	1/2	31~50	248	231	479	227	127	77	170	180	210	230	15	31	50	28	7x7x40	22	1
	1	3~30	242	222	464	227	127	77	170	180	210	230	15	31	50	28	7x7x40	22	1
H-206	2	3~10	322	226	548	227	127	80	170	180	210	230	15	35	55	32	10x8x45	22	1
H-207	1	31~40	242	254	496	253	145	80	205	195	240	260	15	35	55	32	10x8x45	28	1.4
	2	11~30	322	254	579	253	145	80	205	195	240	260	15	35	55	32	10x8x45	28	1.4
H-208	3	3~10	315	262	577	265	145	87	205	195	240	260	15	41	60	38	10x8x50	29	1.4
H-209	2	31~40	322	290	612	289	164	88	215	215	265	295	19	41	60	38	10x8x50	42	2
	3	11~30	315	279	594	289	164	88	215	215	265	295	19	41	60	38	10x8x50	42	2
H-210	5	3~10	371	283	654	289	164	92	215	215	265	295	19	45	65	42	12x8x55	42	2
H-211	3	31~40	315	325	640	332	192	109	250	270	310	340	19	51	75	48	12x8x65	63	3
	5	11~30	371	325	696	332	192	109	250	270	310	340	19	51	75	48	12x8x65	63	3
H-212	7 1/2	3~10	374	325	699	332	192	109	250	270	310	340	19	51	75	48	12x8x65	63	3
	10	3~10	412	325	737	332	192	109	250	270	310	340	19	51	75	48	12x8x65	63	3
H-213	7 1/2	11~30	374	385	759	385	210	126	310	310	370	405	22	60	80	56	15x10x70	100	6.5
	15	3~10	498	385	883	385	210	126	310	310	370	405	22	60	80	56	15x10x70	100	6.5
H-214	10	11~30	412	390	802	385	210	131	310	310	370	405	22	66	85	62	15x10x75	100	6.5
H-215	15	11~30	498	468	966	445	245	151	360	360	430	455	25	76.5	100	72	20x12x90	166	10
	20	3~10	542	468	1010	445	245	151	360	360	430	455	25	76.5	100	72	20x12x90	166	10
H-216	20	11~30	542	469	1011	445	245	151	360	360	430	455	25	80.5	100	76	20x12x90	168	10
	25	5~10	562	469	1031	445	245	151	360	360	430	455	25	80.5	100	76	20x12x90	168	10
H-217	25	11~30	562		1070														
	30	4~30	562	508	1070	505	280	172	380	420	460	535	25	84.5	110	80	20x12x100	217	15
H-218	40	4~10	600		1108														
	40	11~30	600		1208	575	310	196	480	480	570	605	28	106.5	130	100	24x16x120	336	24
H-219	50	5~10	660	608	1268														
	50	11~30	660		1336	680	380	214	540	500	635	670	28	124	150	115	32x20x140	537	32
H-219	60	11~30	660	676	1336	680	380	214	540	500	635	670	28	124	150	115	32x20x140	537	32
	75	5~10	676		1352														
★H-220	75	11~30	676	779	1455	800	430	274	600	680	700	840	38	139	180	130	35x22x170	750	45

※重量不含馬達 Motor weight exclusive ★表使用圓形外殼

※減速比5,10,15,20,25,30,35,40,50,60,70,80,90,100,120,150,200屬於標準品，其餘皆屬於特殊品。

## ■ 臥式減速機 HORIZONTAL TYPE REDUCER

## ■ MODEL : H



## ■ 三段式 3-STAGE

## ■ 減速比 RATIO 1/31~1/200

尺寸表 Dimension

單位：m/m

型號 MODEL	馬力 HP (4P)	減速比 RATIO	M	L	T	H	C	A	腳座 FOOT STOCK					出力軸 OUTPUT SHAFT				重量 Weight (KG)	油量 Oil (l)
									E	J	B	I	N	D	LS	S	W x Y x LK		
H-304	1/4	51~120	225	197	422	190	110	66	135	145	175	190	13	31	50	28	7x7x40	13	0.7
H-306	1/4	121~200	225	236	461	227	127	80	170	180	210	230	15	35	55	32	10x8x45	23	1
	1/2	51~120	248	244	492														
H-308	1/2	121~200	248	268	516	253	145	85	205	195	240	260	15	41	60	38	10x8x50	30	1.4
	2	31~40	322	259	581														
H-310	1	121~200	242	306	548	289	164	92	215	215	265	295	19	45	65	42	12x8x55	46	2
	2	51~120	322	306	628														
H-312	3	31~50	315	295	610	332	192	109	250	270	310	340	19	51	75	48	12x8x65	70	3
	5	121~200	322	348	670														
H-314	3	121~200	315	413	728	385	210	131	310	310	370	405	22	66	85	62	15x10x75	115	6.5
	5	51~120	371	413	784														
H-315	7 1/2	31~50	374	402	776	445	245	151	360	360	430	455	25	76.5	100	72	20x12x90	181	10
	5	121~200	371	485	856														
H-316	10	35~120	374	484	896	445	245	151	360	360	430	455	25	80.5	100	76	20x12x90	183	10
	15	31~50	498	485	983														
H-317	7 1/2	125~200	374	539	913	505	280	172	380	420	460	535	25	84.5	110	80	20x12x100	245	15
	15	40~120	498	523	1021														
	20	40~50	542	523	1065														
H-318	25	40~50	562	523	1085	575	310	196	480	480	570	605	28	108.5	130	100	24x16x120	460	24
	10	121~200	412	628	1040														
	15	121~200	498	628	1126														
	20	60~120	542	628	1170														
H-319	25	60	562	628	1190	670	380	214	540	500	635	670	28	124	150	115	32x20x140	590	32
	30	40~50	562	628	1190														
	20	121~200	542	699	1241														
	25	60~90	562	699	1261														
H-319	30	60~90	562	699	1261	670	380	214	540	500	635	670	28	124	150	115	32x20x140	590	32
	40	40~60	600	699	1299														

※重量不含馬達 Motor weight exclusive ★表使用圓形外殼

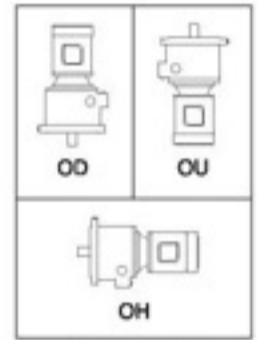
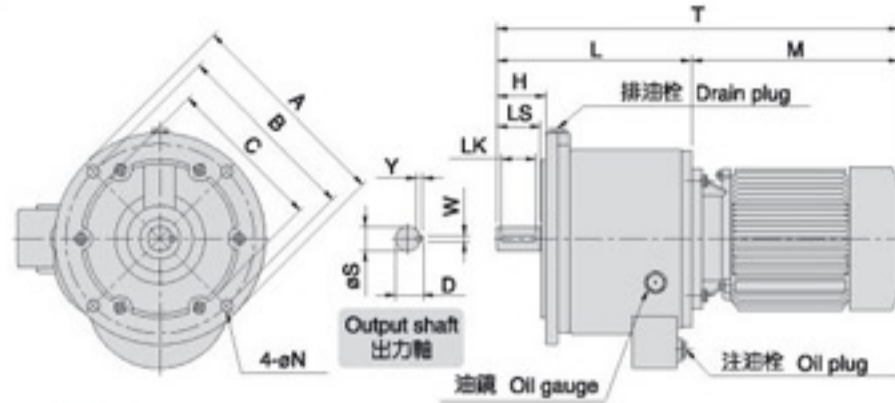
※減速比5,10,15,20,25,30,35,40,50,60,70,80,90,100,120,150,200屬於標準品，其餘皆屬於特殊品。



# 齒輪減速機系列 GEAR REDUCER SERIES

## ■ 立式減速機 VERTICAL TYPE REDUCER

### ■ MODEL : V



使用方向  
Direction of Installation

## ■ 二段式 2-STAGE

## ■ 減速比 RATIO 1/3~1/40

尺寸表 Dimension

單位：m/m

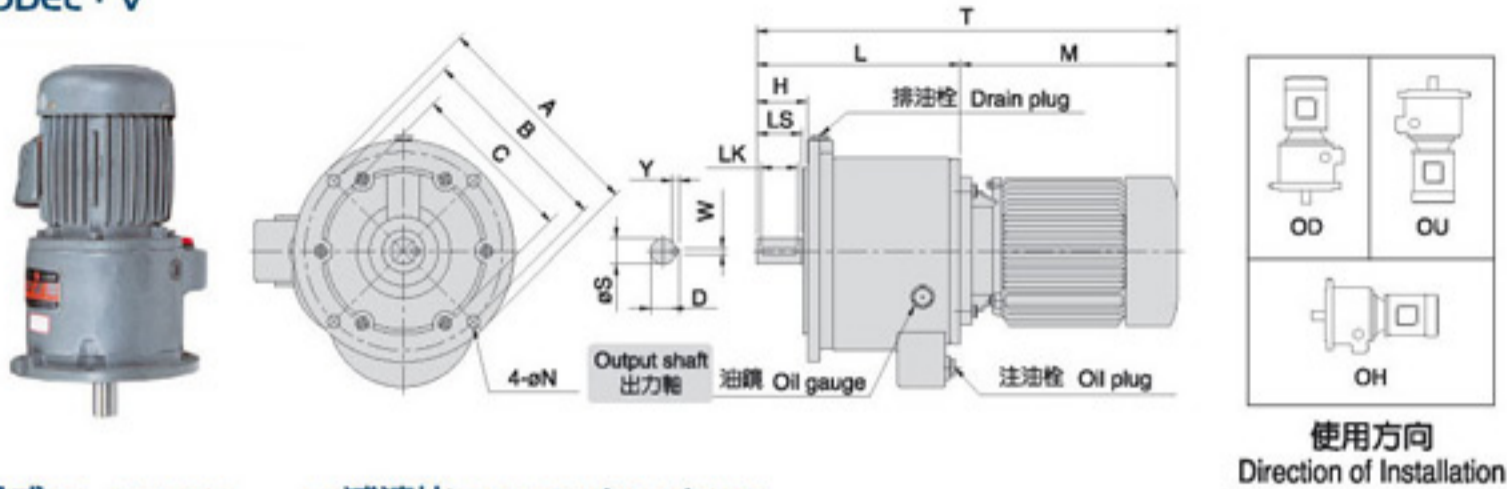
型號 MODEL	馬力 HP (4P)	減速比 RATIO	M	L	T	H	法蘭面 FLANGE				出力軸 OUTPUT SHAFT			重量 Weight (KG)	
							A	B	C	N	D	LS	S		WxYxLK
V-201	1/4	3~30	225	145	370	43	178	155	130	10	21	38	19	5x5x30	8
V-202	1/2	3~10	248	153	401	50	178	155	130	10	27	45	24	7x7x35	8
V-203	1/4	31~50	255	201	426	50	200	175	150	12	27	45	24	7x7x35	12
	1/2	11~30	248	449											
V-205	1/2	31~50	248	217	465	55	240	215	180	14	31	50	28	7x7x40	20
	1	3~30	242	451											
V-206	2	3~10	322	214	536	60	240	215	180	14	35	55	32	10x8x45	20
V-207	1	31~40	242	233	475	60	280	245	210	14	35	55	32	10x8x45	26
	2	11~30	322	555											
V-208	3	3~10	315	238	553	65	280	245	210	14	41	60	38	10x8x50	26
V-209	2	31~40	322	271	593	65	330	300	250	18	41	60	38	10x8x50	39
	3	11~30	315	576											
V-210	5	3~10	371	266	637	70	330	300	250	18	45	65	42	12x8x55	39
V-211	3	31~40	315	305	620	80	380	335	290	18	51	75	48	12x8x65	59
	5	11~30	371	676											
V-212	7 1/2	3~10	374	305	679	80	380	335	290	18	51	75	48	12x8x65	59
	10	3~10	412	717											
V-213	7 1/2	11~30	374	358	732	85	450	400	350	22	60	80	56	15x10x70	93
	15	4~10	498	856											
V-214	10	11~30	412	363	775	90	450	400	350	22	66	85	62	15x10x75	93
V-215	15	11~30	498	437	935	105	500	450	400	24	76.5	100	72	20x12x90	138
	20	4~10	542	979											
V-216	20	11~30	542	437	979	105	500	450	400	24	80.5	100	76	20x12x90	140
	25	5~10	562	999											
V-217	25	11~30	562		1041		590	540	480	24	84.5	110	80	20x12x100	216
	30	4~30	562	479	1041	115									
V-218	40	4~10	600		1079		660	610	560	24x6	106.5	130	100	24x16x120	329
	40	11~30	600		1177	135									
V-218	50	5~10	660	577	1237	135	660	610	560	24x6	106.5	130	100	24x16x120	329
	60	5~10	660		1237	155									
V-219	50	11~30	660		1314		700	650	600	24x6	124	150	115	32x20x140	563
	60	11~30	660	654	1314	155									
V-219	60	11~30	660		1314		700	650	600	24x6	124	150	115	32x20x140	563
	75	5~10	676		1330	155									

※重量不含馬達 Motor weight exclusive ※V-219立臥兩用請看外觀圖或內洽

※減速比5,10,15,20,25,30,35,40,50,60,70,80,90,100,120,150,200屬於標準品，其餘皆屬於特殊品。

■ 立式減速機 VERTICAL TYPE REDUCER

■ MODEL : V



■ 三段式 3-STAGE

■ 減速比 RATIO 1/31~1/200

尺寸表 Dimension

單位：m/m

型號 MODEL	馬力 HP (4P)	減速比 RATIO	M	L	T	H	法蘭面 FLANGE				出力軸 OUTPUT SHAFT				重量 Weight (KG)
							A	B	C	N	D	LS	S	WxYxLK	
V-304	1/4	51~120	225	187	412	55	200	175	150	12	31	50	28	7x7x40	14
V-306	1/4	121~200	225	222	447	60	240	215	180	14	35	55	32	10x8x45	24
	1/2	51~120	248	234	482										
V-308	1/2	121~200	248	246	494	65	280	245	210	14	41	60	38	10x8x50	27
	2	31~40	322	238	560										
V-310	1	121~200	242	279	521	70	330	300	250	18	45	65	42	12x8x55	40
	2	51~120	322		601										
V-312	3	121~200	322	325	647	80	380	335	290	18	51	75	48	12x8x65	66
	5	31~50	371	315	686										
V-314	3	121~200	315	378	693	90	450	400	350	22	66	85	62	15x10x75	106
	5	51~120	371		749										
V-315	7 1/2	31~50	374	366	740	105	500	450	400	24	76.5	100	72	20x12x90	162
	5	121~200	371		823										
V-316	10	60~120	374	452	826	105	500	450	400	24	80.5	100	76	20x12x90	163
	15	31~50	498	452	950										
V-317	7 1/2	125~200	374	479	853	115	590	540	480	24	84.5	110	80	20x12x100	230
	15	40~120	498		977										
	20	40~50	542		1021										
V-318	25	40~50	562	597	1041	135	660	610	560	24x6	106.5	130	100	24x16x120	386
	10	121~200	412		1009										
	15	121~200	498		1095										
	20	60~120	542		1139										
V-319	25	60	562	674	1159	155	700	650	600	24x6	124	150	115	32x20x140	615
	30	40~50	562		1159										
	20	121~200	542		1216										
	25	60~90	562		1236										
	30	60~90	562		1236										
	40	40~60	600		1274										

\* 重量不含馬達 Motor weight exclusive

\* V-319立臥兩用請看外觀圖或內洽

\* 減速比5,10,15,20,25,30,35,40,50,60,70,80,90,100,120,150,200屬於標準品，其餘皆屬於特殊品。

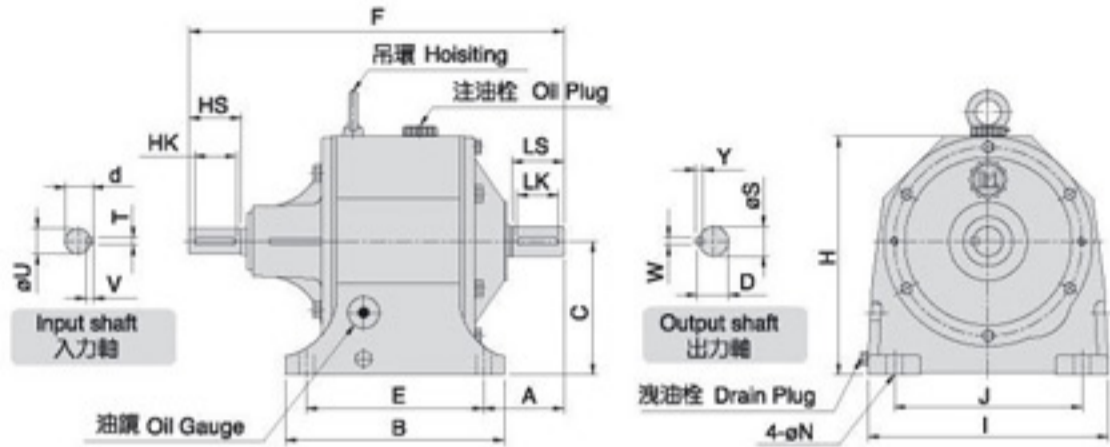




# 齒輪減速機系列 GEAR REDUCER SERIES

## ■ 臥式雙軸減速機 HORIZONTAL DOUBLE SHAFT TYPE REDUCER

### ■ MODEL : HD



### ■ 二段式 2 - STAGE

### ■ 減速比 RATIO 1/3~1/40

尺寸表 Dimension

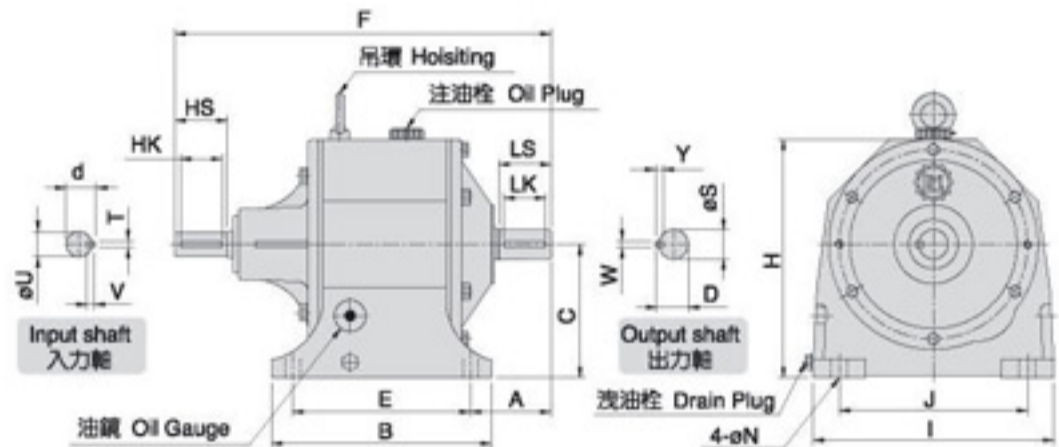
單位：m/m

型號 MODEL	馬力 HP (4P)	減速比 RATIO	F	A	C	H	入力軸 INPUT SHAFT				腳座 FOOT STOCK					出力軸 OUTPUT SHAFT				重量 Weight (KG)	油量 Oil (l)
							d	HS	TxVxHK	U	E	J	B	I	N	D	LS	S	W x Y x LK		
★HD-201	1/4	3~30	252	53	90	170	18	35	5x5x25	16	125	140	155	180	10	21	38	19	5x5x30	12	0.5
★HD-202	1/2	3~10	264	60	90	170	21	40	5x5x30	19	125	140	155	180	10	27	45	24	7x7x35	12	0.5
HD-203	1/4	31~50	267	62	110	190	18	35	5x5x30	16	135	145	170	190	13	27	45	24	7x7x35	15	0.7
	1/2	11~30	272	21	40	19															
HD-205	1/2	31~50	360	77	127	227	27	50	7x7x40	24	170	180	210	230	15	31	50	28	7x7x40	25	1
	1	3~30																		28	
HD-206	2	3~10	365	80	127	227	27	50	7x7x40	24	170	180	210	230	15	35	55	32	10x8x45	28	1
HD-207	1	31~40	392	80	145	253	27	50	7x7x40	24	205	195	245	255	15	35	55	32	10x8x45	34	1.4
	2	11~30																			
HD-208	3	3~10	397	87	145	253	27	50	7x7x40	24	205	195	245	255	15	41	60	38	10x8x50	35	1.4
HD-209	2	31~40	419	88	164	289	31	55	7x7x45	28	215	215	265	295	19	41	60	38	10x8x50	50	2
	3	11~30																			
HD-210	5	3~10	423	92	164	289	31	55	7x7x45	28	215	215	265	295	19	45	65	42	12x8x55	50	2
HD-211	3	31~40	465	109	192	332	31	55	7x7x45	28	250	270	310	340	19	51	75	48	12x8x65	72	3
	5	11~30																		32	
HD-212	7 1/2	3~10	484	109	192	332	35	60	10x8x50	32	250	270	310	340	19	51	75	48	12x8x65	72	3
	10	3~10																			
HD-213	7 1/2	11~30	564	126	210	385	41	65	10x8x55	38	310	310	370	405	22	60	80	56	15x10x70	120	6.5
	15	4~10																			
HD-214	10	11~30	569	131	210	385	41	65	10x8x55	38	310	310	370	405	22	66	85	62	15x10x75	120	6.5
HD-215	15	11~30	692	151	245	445	51	80	12x8x70	48	360	360	430	455	25	76.5	100	72	20x12x90	201	10
	20	4~10																			
HD-216	20	11~30	693	151	245	445	51	80	12x8x70	48	360	360	430	455	25	80.5	100	76	20x12x90	203	10
	25	4~10																			
HD-217	25	11~30	734	172	280	505	51	80	12x8x70	48	380	420	460	535	25	84.5	110	80	20x12x100	255	15
	40	4~10																			
HD-218	40	11~30	881	196	310	575	59	90	15x10x80	55	480	480	570	605	28	106.5	130	100	24x16x120	386	24
	50	5~10																			
HD-219	50	10~30	970	214	380	680	69	100	15x10x90	65	540	500	635	670	28	124	150	115	32x20x140	617	32
	60	10~30																			
★HD-220	75	5~10	1093	274	430	800	79.5	110	20x12x100	75	600	680	700	840	38	139	180	130	35x22x170	852	45
	75	5~10																			

★表使用圓形外殼 ※減速比5,10,15,20,25,30,35,40,50,60,70,80,90,100,120,150,200屬於標準品，其餘皆屬於特殊品。

■ 臥式雙軸減速機 HORIZONTAL DOUBLE SHAFT TYPE REDUCER

■ MODEL : HD



■ 三段式 3-STAGE

■ 減速比 RATIO 1/31~1/200

尺寸表 Dimension

單位 : m/m

型號 MODEL	馬力 HP (4P)	減速比 RATIO	F	A	C	H	入力軸 INPUT SHAFT				腳座 FOOT STOCK					出力軸 OUTPUT SHAFT				重量 Weight (KG)	油量 Oil (l)
							d	HS	TxVxHK	U	E	J	B	I	N	D	LS	S	WxYxLK		
HD-304	1/4	51~120	284	66	110	190	18	35	5x5x25	16	135	145	175	190	13	31	50	28	7x7x40	16	0.7
HD-306	1/4	121~200	329	80	127	227	18	35	5x5x30	16	170	180	210	230	15	35	55	32	10x8x45	26	1
	1/2	51~120	338				21	40		19											
HD-308	1/2	121~200	361	85	145	253	21	40	5x5x30	19	205	195	240	260	15	41	60	38	10x8x50	36	1.4
	1	40~120	397				27	50		24											
HD-310	2	31~40	397	92	164	289	27	50	7x7x40	24	215	215	265	295	19	45	65	42	12x8x55	52	2
	1	121~200	444				27	50													
HD-312	2	121~200	444	109	192	332	31	55	7x7x45	28	250	270	310	340	19	51	75	48	12x8x65	78	3
	3	41~120	477				31	55													
HD-314	3	31~50	477	131	210	385	35	60	10x8x45	32	310	310	370	405	22	66	85	62	15x10x75	124	6.5
	5	51~120	572				35	60													
HD-315	5	121~200	572	151	245	445	35	60	10x8x45	32	360	360	430	455	25	76.5	100	72	20x12x90	201	10
	7 1/2	35~120	666				41	65		38											
HD-316	7 1/2	31~60	666	151	245	445	41	65	10x8x55	38	360	360	440	455	25	80.5	100	76	20x12x90	203	10
	10	35~120	667				41	65		38											
HD-317	10	35~120	667	172	280	505	41	65	10x8x55	38	380	420	460	535	25	84.5	110	80	20x12x100	280	15
	15	125~200	718				41	65		38											
	20	40~120	747				51	80		48											
	25	40~50	747				51	80		48											
HD-318	25	40~50	747	196	310	575	51	80	12x8x70	48	480	480	570	605	28	106.5	130	100	24x16x120	498	24
	10	121~200	718				41	65		38											
	15	121~200	747				51	80		48											
	20	51~120	852				51	80		48											
	25	60	852				51	80		48											
HD-319	30	31~50	923	214	380	680	51	80	12x8x70	48	540	500	635	670	28	124	150	115	32x20x140	640	32
	20	121~200	923				51	80		48											
	25	60~90	923				51	80		48											
	30	60~90	923				51	80		48											
40	40~60	972	59	90	55																

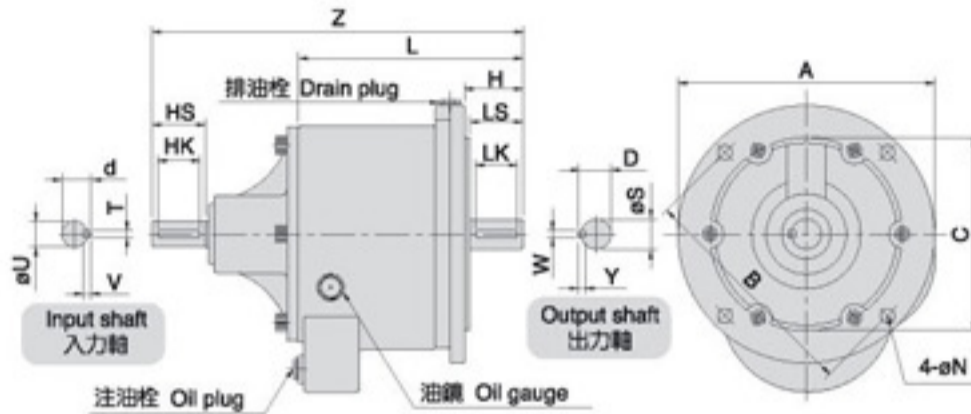
★表使用圓形外殼 ※減速比5,10,15,20,25,30,35,40,50,60,70,80,90,100,120,150,200屬於標準品，其餘皆屬於特殊品。



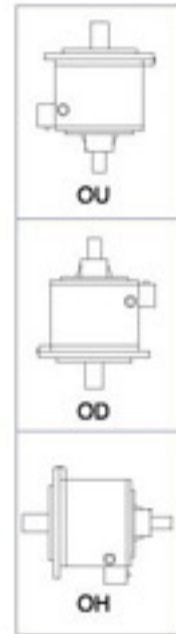
# 齒輪減速機系列 GEAR REDUCER SERIES

## ■ 立式雙軸減速機 VERTICAL DOUBLE SHAFT TYPE REDUCER

### ■ MODEL : VD



### 使用方向 Direction of Installation



### ■ 二段式 2-STAGE

### ■ 減速比 RATIO 1/3~1/40

尺寸表 Dimension

單位 : m/m

型號 MODEL	馬力 HP (4P)	減速比 RATIO	L	Z	入力軸 INPUT SHAFT				法蘭面 FLANGE				出力軸 OUTPUT SHAFT				重量 Weight (KG)	
					d	HS	TxVxHK	U	A	B	C	N	D	LS	S	H		WxYxLK
VD-201	1/4	3~30	145	232	18	35	5x5x25	16	178	155	130	10	21	38	19	43	5x5x30	12
VD-202	1/2	3~10	153	245	21	40	5x5x30	19	178	155	130	10	27	45	24	50	7x7x35	12
VD-203	1/4	31~40	201	293	18	35	5x5x30	16	200	175	150	12	27	45	24	50	7x7x35	15
	1/2	11~30			21	40		19										
VD-205	1/2	31~40	209	346	27	50	7x7x40	24	240	215	180	14	31	50	28	55	7x7x40	26
VD-206	2	3~10	216	351	27	50	7x7x40	24	240	215	180	14	35	55	32	60	10x8x45	26
VD-207	1	31~40	233	370	27	50	7x7x40	24	280	245	210	14	35	55	32	60	10x8x45	33
	2	11~30																
VD-208	3	3~10	238	375	27	50	7x7x40	24	280	245	210	14	41	60	38	65	10x8x50	33
VD-209	2	31~40	261	401	31	55	7x7x45	28	330	300	250	18	41	60	38	65	10x8x50	47
	3	11~30																
VD-210	5	3~10	266	406	31	55	7x7x45	28	330	300	250	18	45	65	42	70	12x8x55	47
VD-211	3	31~40	305	459	31	55	7x7x45	28	380	335	290	18	51	75	48	80	12x8x65	68
	5	11~30			35	60	32											
VD-212	7 1/2	3~10	305	459	35	60	10x8x50	32	380	335	290	18	51	75	48	80	12x8x65	68
	10	3~10																
VD-213	7 1/2	11~30	358	542	41	65	10x8x55	38	450	400	350	22	60	80	56	85	15x10x70	113
VD-214	10	11~30	363	547	41	65	10x8x55	38	450	400	350	22	66	85	62	90	15x10x75	113
VD-215	15	11~30	437	661	51	80	12x8x70	48	500	450	400	24	76.5	100	72	105	20x12x90	173
	20	4~10																
VD-216	20	11~30	437	661	51	80	12x8x70	48	500	450	400	24	80.5	100	76	105	20x12x90	175
	25	4~10																
VD-217	25	11~30	479	705	51	80	12x8x70	48	590	540	480	24	84.5	110	80	115	20x12x100	254
	30	4~30																
VD-218	40	11~30	577	856	59	90	15x10x80	55	660	610	560	24x6	106.5	130	100	135	24x16x120	379
	50	5~10																
VD-219	50	10~30	654	953	69	100	15x10x90	65	700	650	600	24x6	124	150	115	155	32x20x140	642
	60																	

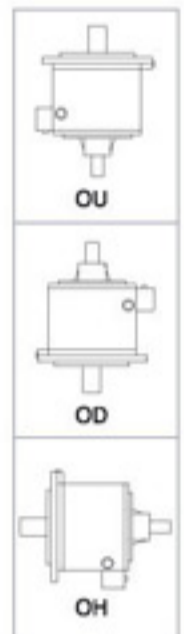
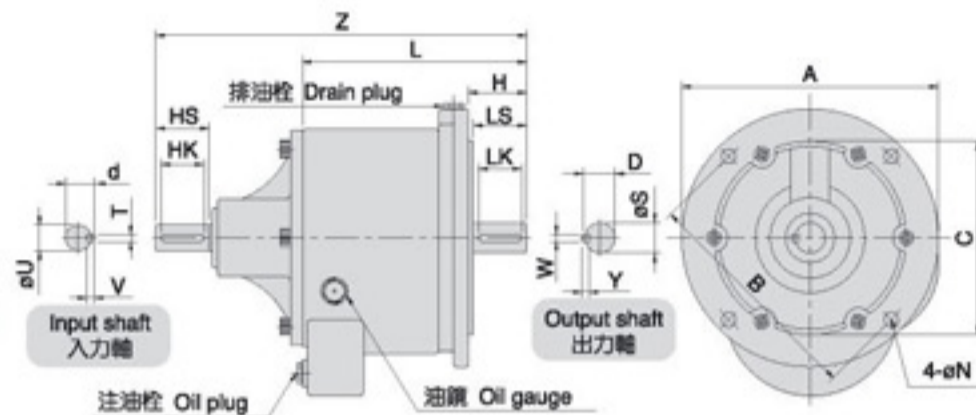
※VD-219立臥兩用請看外觀圖或內洽

※減速比5,10,15,20,25,30,35,40,50,60,70,80,90,100,120,150,200屬於標準品，其餘皆屬於特殊品。

■ 立式雙軸減速機 VERTICAL DOUBLE SHAFT TYPE REDUCER

■ MODEL : VD

使用方向  
Direction of Installation



■ 三段式 3-STAGE

■ 減速比 RATIO 1/31~1/200

尺寸表 Dimension

單位 : m/m

型號 MODEL	馬力 HP (4P)	減速比 RATIO	L	Z	入力軸 INPUT SHAFT				法蘭面 FLANGE				出力軸 OUTPUT SHAFT				重量 Weight (KG)	
					d	HS	TxVxHK	U	A	B	C	N	D	LS	S	H		WxYxLK
VD-304	1/4	51~120	187	274	18	35	5x5x25	16	200	175	150	12	31	50	28	55	7x7x40	17
VD-306	1/4	121~200	222	309	18	35	5x5x25	16	242	215	180	14	35	55	32	60	10x8x45	30
	1/2	51~120	234	326	21	40	5x5x30	19										
VD-308	1/2	121~200	246	333	21	40	5x5x30	19	280	245	210	14	41	60	38	65	10x8x50	33.5
	1	40~120	238	375	27	50	7x7x40	24										
VD-310	2	31~40	238	375	27	50	7x7x40	24	330	300	250	18	45	65	42	70	12x8x55	51
	1	121~200	279	416	27	50	7x7x40	24										
VD-312	2	121~200	315	455	31	55	7x7x45	28	380	335	290	18	51	75	48	80	12x8x65	75
	3	41~120																
VD-314	5	31~50	378	523	35	60	10x8x50	32	450	400	350	22	66	85	62	90	15x10x75	115
	3	121~200																
VD-315	5	51~120	452	636	41	65	10x8x55	38	550	450	400	24	76.5	100	72	105	20x12x90	182
	7 1/2	121~200																
VD-316	7 1/2	35~120	452	636	41	65	10x8x55	38	550	450	400	24	80.5	100	76	105	20x12x90	183
	10	31~60																
VD-317	10	35~120	479	703	41	65	10x8x55	38	590	540	480	24	84.5	110	80	115	20x12x100	265
	15	125~200																
	20	40~120																
	25	40~50																
VD-318	25	40~50	597	823	51	80	12x8x70	48	660	610	560	24x6	106.5	130	100	135	24x16x120	424
	10	121~200																
	15	121~200																
	20	51~120																
VD-319	25	60	674	962	51	80	12x8x70	48	700	650	600	24x6	124	150	115	155	32x20x140	665
	30	31~50																
	20	121~200																
	25	60~90																
	30	60~90			51	80	12x8x70	48										
	40	40~60			59	90	15x10x80	55										

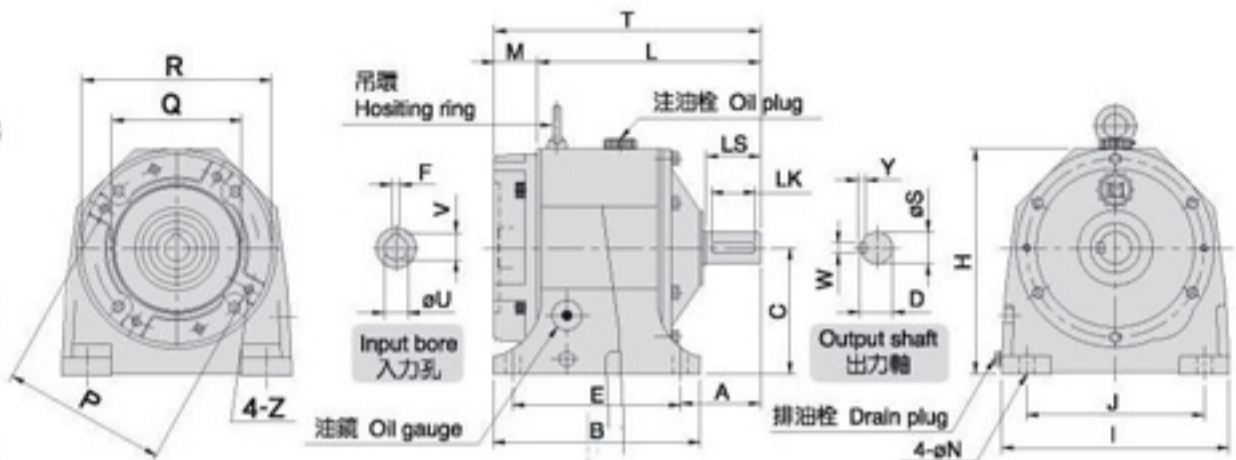
※VD-319 立式兩用請看外觀圖或內洽。 ※減速比5,10,15,20,25,30,35,40,50,60,70,80,90,100,120,150,200屬於標準品，其餘皆屬於特殊品。



# 齒輪減速機系列 GEAR REDUCER SERIES

## ■ 馬達插入式臥式減速機 HORIZONTAL TYPE REDUCER MOTOR PLUG-IN

### ■ MODEL : HB



### ■ 二段式 2-STAGE

### ■ 減速比 RATIO 1/3~1/40

尺寸表 Dimension

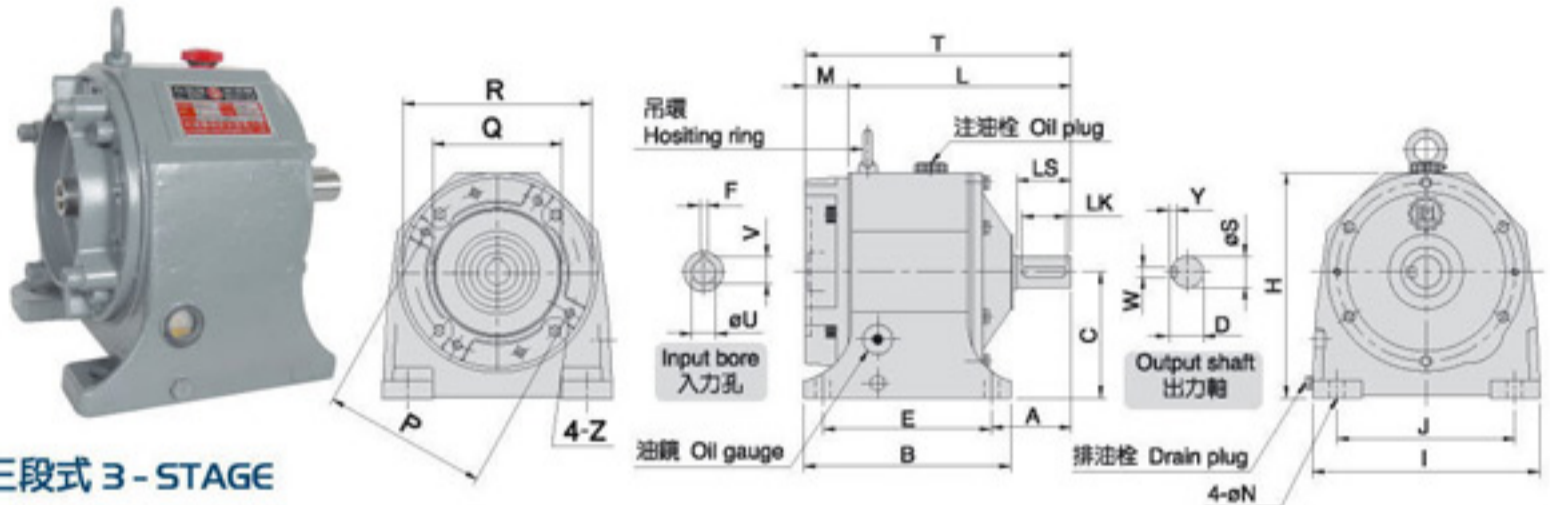
單位 : m/m

型號 MODEL	馬力 HP (4P)	減速比 RATIO	T	H	L	C	A	腳座 FOOT STOCK					馬達盤 IEC MOTOR FLANGE					入力孔 INPUT BORE			出力軸 OUTPUT SHAFT				重量 Weight (KG)
								E	J	B	I	N	M	P	Q	R	Z	U	F	V	D	LS	S	WxYxLK	
★HB-201	1/4	3~30	194	170	165	90	53	125	140	155	180	10	29	130	110	160	M8	11	4	12.7	21	38	19	5x5x30	12
★HB-202	1/2	3~10	199	170	172	90	60	125	140	155	180	10	29	130	110	160	M8	14	5	16.3	27	45	24	7x7x35	12
HB-203	1/4	31~50	210	190	180	110	62	135	145	170	190	13	29	130	110	160	M8	11	4	12.7	27	45	24	7x7x35	15
	1/2	11~30																14	5	16.3					
HB-205	1/2	31~50	251	227	222	127	77	170	180	210	230	15	26	130	110	200	M8	14	5	16.3	31	50	28	7x7x40	27
	1	3~30	255	222	33	165	130	M10	19	6	21.8														
HB-206	2	3~10	270	227	226	127	80	170	180	210	230	15	44	165	130	200	M10	24	8	27.3	35	55	32	10x8x45	27
HB-207	1	31~40	298	253	254	145	80	205	195	240	260	15	44	165	130	200	M10	19	6	21.8	35	55	32	10x8x45	33
	2	11~30	298	253	44	165	130	200	M10	24	8	27.3													
HB-208	3	3~10	315	265	262	145	87	205	195	240	260	15	57	215	180	250	M12	28	8	31.3	41	60	38	10x8x50	38
HB-209	2	31~40	323	289	279	164	88	215	215	265	295	19	49	165	130	250	M10	24	8	27.3	41	60	38	10x8x50	51
	3	11~30	337	279	57	215	180	250	M12	28	8	31.3													
HB-210	5	3~10	341	289	283	164	92	215	215	265	295	19	57	215	180	250	M12	28	8	31.3	45	65	42	12x8x55	51
HB-211	3	31~40	382	332	325	192	109	250	270	310	340	19	57	215	180	250	M12	28	8	31.3	51	75	48	12x8x65	72
	5	11~30																							
HB-212	7 1/2	3~10	390	332	325	192	109	250	270	310	340	19	65	265	230	300	M12	38	10	41.3	51	75	48	12x8x65	77
	10	3~10																							
HB-213	7 1/2	11~30	450	385	385	210	126	310	310	370	405	22	65	265	230	300	M12	38	10	41.3	60	80	56	15x10x70	114
	15	4~10	470	85	300	250	350	M16	42	12	45.3														
HB-214	10	11~30	455	385	390	210	131	310	310	370	405	22	65	265	230	300	M12	38	10	41.3	66	85	62	15x10x75	114
HB-215	15	11~30	553	445	468	245	151	360	360	430	455	25	85	300	250	350	M16	42	12	45.3	76.5	100	72	20x12x90	180
	20	4~10																							
HB-216	20	11~30	554	445	469	245	151	360	360	430	455	25	85	300	250	350	M16	42	12	45.3	80.5	100	76	20x12x90	182
	25	5~10	556	87	350	300	400	48	14	51.8															
HB-217	25	11~30	595	505	508	280	172	380	420	460	535	25	87	350	300	400	M16	48	14	51.8	84.5	110	80	20x12x100	255
	30	4~30																55	16	59.3					
HB-218	40	11~30	695	575	608	310	196	480	480	570	605	28	87	350	300	400	M16	55	16	59.3	106.5	130	100	24x16x120	374
	50	5~10																60	18	64.3					
HB-219	50 60	10~30	772	680	685	380	214	540	500	635	670	28		400	350	450	M16	60	18	64.3	124	150	115	32x20x140	597

★表使用圓形外殼 ※減速比5,10,15,20,25,30,35,40,50,60,70,80,90,100,120,150,200屬於標準品，其餘皆屬於特殊品。

■ 馬達插入式臥式減速機 HORIZONTAL TYPE REDUCER MOTOR PLUG-IN

■ MODEL : HB



■ 三段式 3-STAGE

■ 減速比 RATIO 1/31~1/200

尺寸表 Dimension

單位 : m/m

型號 MODEL	馬力 HP (4P)	減速比 RATIO	T	H	L	C	A	腳座 FOOT STOCK					馬達盤 IEC MOTOR FLANGE					入力孔 INPUT BORE			出力軸 OUTPUT SHAFT				重量 Weight (KG)
								E	J	B	I	N	M	P	Q	R	Z	U	F	V	D	LS	S	WxYxLK	
HB-304	1/4	51~120	225	190	197	110	66	135	145	175	190	13	29	130	110	160	M8	11	4	12.7	31	50	28	7x7x40	16
HB-306	1/4	121~200	266	227	236	127	80	170	180	210	230	15	30	130	110	200	M8	11	4	12.7	35	55	32	10x8x45	18
	1/2	51~120	266	227	236	127	80	170	180	210	230	15	30	130	110	200	M8	14	5	16.3					
HB-308	1/2	121~200	288		259								29	130	110		M8	14	5	16.3	41	60	38	10x8x50	35
	1	40~120	292	253	259	145	85	205	195	240	260	15	33	165	130	200	M10	19	6	21.8					
HB-310	2	31~40	303										44	165	130		M10	24	8	27.3	45	65	42	12x8x55	53
	1	121~200	339										44	165	130		M10	19	6	21.8					
HB-312	2	51~120	339	289	295	164	92	215	215	265	295	19	49	165	130	250	M10	24	8	27.3	51	75	48	12x8x65	79
	3	31~40	349										57	215	180		M12	28	8	31.3					
HB-314	3	41~120	395	332	337	192	109	250	270	310	340	19	57	215	180	250	M12	28	8	31.3	66	85	62	15x10x75	122
	5	31~50	395										57	215	180		M12	28	8	31.3					
HB-316	5	121~200	457		413								57	215	180	250		28	8	31.3	80.5	100	76	20x12x90	197
	7 1/2	31~50	467		402								65	265	230	300		38	10	41.3					
HB-318	5	51~120	539		485								57	215	180	250		28	8	31.3	76.5	100	72	20x12x90	195
	7 1/2	35~120	552	445	484	245	151	360	360	430	455	25	68	265	230	300	M12	38	10	41.3					
HB-315	10	31~60	552		484								68	265	230	300		38	10	41.3	84.5	110	80	20x12x100	259
	10	35~120	553	445	485	245	151	360	360	430	455	25	68	265	230	300	M12	38	10	41.3					
HB-317	15	40~120	608		523								88	300	250	350	M16	42	12	45.3	84.5	110	80	20x12x100	267
	20	40~50	608	505	523	280	172	380	420	460	535	25	85	300	250	350	M16	42	12	45.3					
HB-319	25	40~50	632		545								87	350	300	400	M16	48	14	51.8	106.5	130	100	24x16x120	482
	10	121~200	693										85	265	230	300	M12	38	10	41.3					
HB-318	15	121~200	713										85	300	250	350	M16	42	12	45.3	106.5	130	100	24x16x120	498
	20	51~120	713	575	628	310	196	480	480	570	605	28	85	300	250	350	M16	42	12	45.3					
HB-319	25	60~90	783										106	350	300	400	M16	48	14	51.8	103	150	115	32x20x140	612
	30	31~50	734										106	350	300	400	M16	48	14	51.8					
HB-319	30	60~90	783	680	696	380	214	540	500	635	670	28	87	350	300	400	M16	48	14	51.8	103	150	115	32x20x140	628
	40	40~60	783										87	350	300	400	M16	55	16	59.3					

※減速比5, 10, 15, 20, 25, 30, 35, 40, 50, 60, 70, 80, 90, 100, 120, 150, 200屬於標準品。其餘皆屬於特殊品。

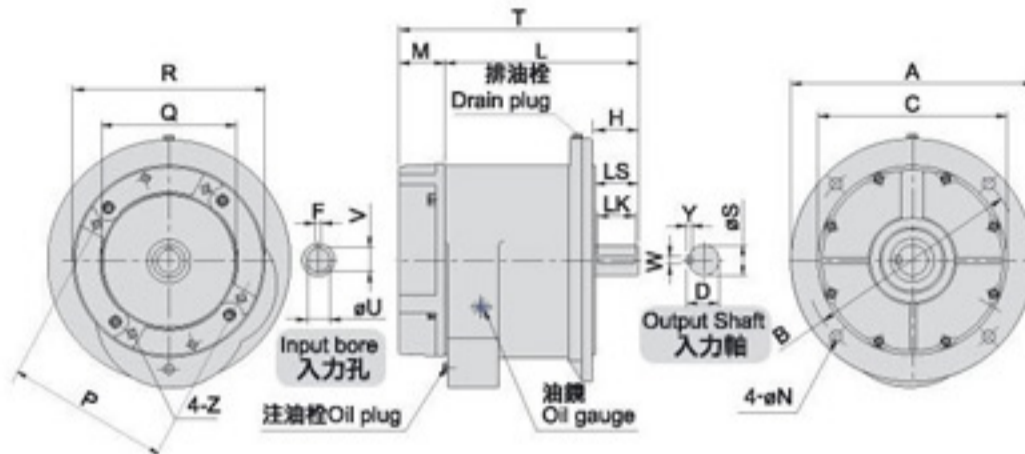


# 齒輪減速機系列 GEAR REDUCER SERIES

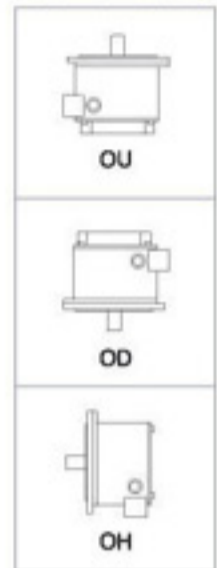
## ■ 馬達插入式立式減速機

VERTICAL TYPE REDUCER MOTOR PLUG-IN

## ■ MODEL : VB



使用方向  
Direction of Installation



## ■ 二段式 2 - STAGE

## ■ 減速比 RATIO 1/3~1/40

尺寸表 Dimension

單位 : m/m

型號 MODEL	馬力 HP (4P)	減速比 RATIO	T	L	H	法蘭面 FLANGE				馬達盤 IEC MOTOR FLANGE				入力孔 INPUT BORE			出力軸 OUTPUT SHAFT				重量 Weight (KG)	
						A	B	C	N	M	P	Q	R	Z	U	F	V	D	LS	S		WxYxLK
VB-201	1/4	3~30	174	145	43	180	155	130	10	29	130	110	160	M8	11	4	12.7	21	38	19	5x5x30	11
VB-202	1/2	3~10	180	153	50	180	155	130	10	29	130	110	160	M8	14	5	16.3	27	45	24	7x7x35	11
VB-203	1/4	31~50	228	201	50	200	175	150	12	29	130	110	160	M8	11	4	12.7	27	45	24	7x7x35	15
	1/2	11~30													14	5	16.3					
VB-205	1/2	31~50	237	209	55	240	215	180	14	28	130	110	200	M8	14	5	16.3	31	50	28	7x7x40	25
	1	3~30													19	6	21.8					
VB-206	2	3~10	257	216	60	240	215	180	14	43	165	130	200	M10	24	8	27.3	35	55	32	10x8x45	25
VB-207	1	31~40	266	233	60	280	245	210	14	33	165	130	200	M10	19	6	21.8	35	55	32	10x8x45	31
	2	11~30													24	8	27.3					
VB-208	3	3~10	291	238	65	280	245	210	14	57	215	180	250	M12	28	8	31.3	41	60	38	10x8x50	35
VB-209	2	31~40	305	261	65	330	300	250	18	49	165	130	250	M10	24	8	27.3	41	60	38	10x8x50	48
	3	11~30													28	8	31.3					
VB-210	5	3~10	322	266	70	330	300	250	18	57	215	180	250	M12	28	8	31.3	45	65	42	12x8x55	48
VB-211	3	31~40	362	305	80	380	335	290	18	43	215	180	250	M12	28	8	31.3	51	75	48	12x8x65	68
	5	11~30													28	8	31.3					
VB-212	7 1/2	3~10	370	305	80	380	335	290	18	65	265	230	300	M12	38	10	41.3	51	75	48	12x8x65	73
	10	3~10													38	10	41.3					
VB-213	7 1/2	11~30	423	358	85	450	400	350	22	65	265	230	300	M12	38	10	41.3	60	80	56	15x10x70	107
	15	4~10													42	12	45.3					
VB-214	10	11~30	428	363	90	450	400	350	22	65	265	230	300	M12	38	10	41.3	66	85	62	15x10x75	107
VB-215	15	11~30	522	437	105	500	450	400	24	85	300	250	350	M16	42	12	45.3	76.5	100	72	20x12x90	160
	20	4~10													42	12	45.3					
VB-216	20	11~30	520	437	105	500	450	400	24	85	300	250	350	M16	42	12	45.3	80.5	100	76	20x12x90	162
	25	5~10													48	14	51.8					
VB-217	25	11~30	566	479	115	590	540	480	24	87	350	300	400	M16	48	14	51.8	84.5	110	80	20x12x100	254
	40	4~10													55	16	59.3					
VB-218	40	11~30	664	577	135	660	610	560	24	87	350	300	400	M16	55	16	59.3	106.5	130	100	24x16x120	424
	50	5~10													60	18	64.3					
VB-219	50 60	10~30	-	654	155	700	650	600	24	-	400	350	450	M16	60	18	64.3	124	150	115	32x20x140	675

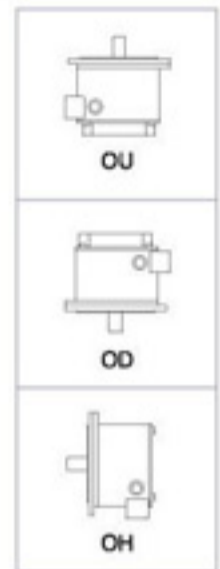
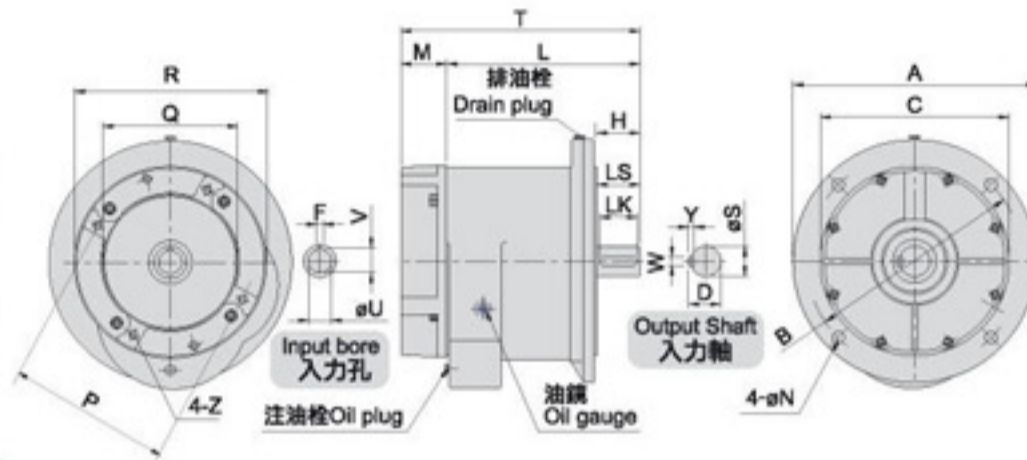
※VB-219立式臥式兩用請洽外觀圖或內洽 ※減速比5,10,15,20,25,30,35,40,50,60,70,80,90,100,120,150,200屬於標準品，其餘皆屬於特殊品。

■ 馬達插入式立式減速機

VERTICAL TYPE REDUCER MOTOR PLUG-IN

■ MODEL : VB

使用方向  
Direction of Installation



■ 三段式 3-STAGE

■ 減速比 RATIO 1/31~1/200

尺寸表 Dimension

單位 : m/m

型號 MODEL	馬力 HP (4P)	減速比 RATIO	T	L	H	法蘭面 FLANGE				馬達盤 IEC MOTOR FLANGE					入力孔 INPUT BORE			出力軸 OUTPUT SHAFT				重量 Weight (KG)
						A	B	C	N	M	P	Q	R	Z	U	F	V	D	LS	S	WxYxLK	
VB-304	1/4	51~120	214	187	55	200	175	150	12	29	130	110	160	M8	11	4	12.7	31	50	28	7x7x40	17
VB-306	1/4	121~200	250	222	60	240	215	180	14	28	130	110	160	M8	11	4	12.7	35	55	32	10x8x45	27
	1/2	51~120	256	234											14	5	16.3					
VB-308	1/2	121~200	274	246 238	65	280	245	210	14	28	130	110	200	M8	14	5	16.3	41	60	38	10x8x50	32
	1	40~120	271							33	165	130	200	M10	19	6	21.8					
VB-310	2	31~40	282	269	70	330	300	250	18	44	165	130	200	M10	19	6	21.8	45	65	42	12x8x55	53
	2	51~120	313							49	165	130	250	M10	24	8	27.3					
VB-312	3	31~40	322	315	80	380	335	290	18	57	215	180	250	M12	28	8	31.3	51	75	48	12x8x65	75
	3	121~200	359							57	215	180	250	M12	28	8	31.3					
VB-314	5	31~50	368	378 366	90	450	400	350	22	57	215	180	250	M12	28	8	31.3	66	85	62	15x10x75	115 120
	5	121~200	421							57	215	180	250	M12	28	8	31.3					
VB-315	7 1/2	31~50	431	452	105	500	450	400	24	65	265	230	300	M12	38	10	41.3	76.5	100	72	20x12x90	171 184
	7 1/2	121~200	495							65	265	230	300	M12	38	10	41.3					
VB-316	10	35~120	517	452	105	500	450	400	24	65	265	230	300	M12	38	10	41.3	80.5	100	76	20x12x90	172 185
	10	35~60	517							65	265	230	300	M12	38	10	41.3					
VB-317	15	31~50	537	479	115	590	540	480	24	65	265	230	300	M12	38	10	41.3	84.5	110	80	20x12x100	244 252 268
	15	125~200	544							65	265	230	300	M12	38	10	41.3					
VB-318	20	40~120	564	597	135	660	610	560	24	85	300	250	350	M16	42	12	45.3	106.5	130	100	24x16x120	400 408 424 424
	20	40~50	564							85	300	250	350	M16	42	12	45.3					
VB-319	25	40~50	566	674	155	700	650	600	24	87	350	300	400	M16	48	14	51.8	124	150	115	32x20x140	637 653
	25	121~200	759							85	300	250	350	M16	42	12	45.3					
VB-319	30	60~90	761	674	155	700	650	600	24	87	350	300	400	M16	48	14	51.8	124	150	115	32x20x140	637 653
	30	60~90	761							87	350	300	400	M16	48	14	51.8					
VB-319	40	40~60	761	674	155	700	650	600	24	87	350	300	400	M16	55	16	59.3	124	150	115	32x20x140	637 653
	40	40~60	761							87	350	300	400	M16	55	16	59.3					

※VB-319立臥兩用請看外觀圖或內洽 ※減速比5,10,15,20,25,30,35,40,50,60,70,80,90,100,120,150,200屬於標準品，其餘皆屬於特殊品。





# 多速比多段齒輪減速機系列 VERTICAL REDUCER SERIES

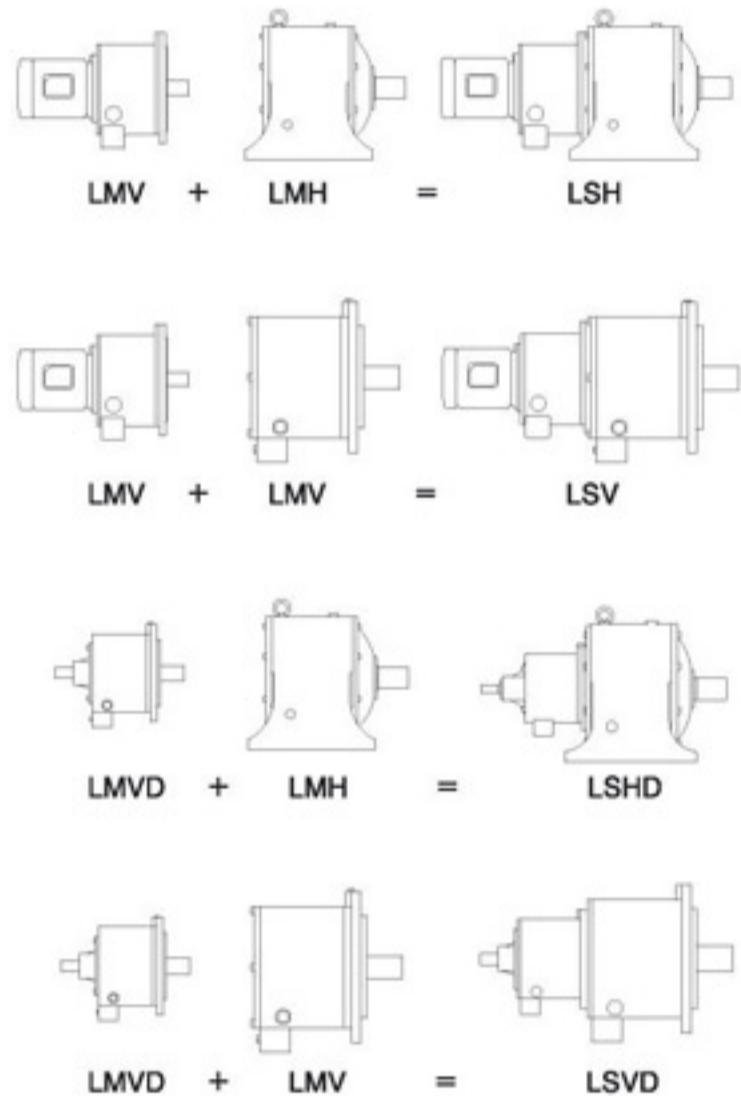
## 特點：

高減速比，從1/210~1/6000

## Specifications:

High gear ratio from 1/210 to 1/6000.

多速比減速機－連結規格一表 Multi-stage reducer-Link Specification Table			
型號 MODEL NO.	機型 TYPE	LSH, LSHD	LSV, LSVD
406		201V+206H	201V+206V
408		203V+208H	203V+208V
508		203V+308H	203V+308V
410		205V+210H	205V+210V
510		306V+210H	306V+210V
610		306V+310H	306V+310V
412		205V+212H	205V+212V
512		205V+312H	205V+312V
612		306V+312H	306V+312V
414		209V+214H	209V+214V
514		207V+314H	207V+314V
614		308V+314H	308V+314V
416		209V+216H	209V+216V
516		209V+316H	209V+316V
616		310V+316H	310V+316V
417		211V+217H	211V+217V
517		312V+217H	312V+217V
617		310V+317H	310V+317V
418		212V+218H	212V+218V
518		212V+318H	212V+318V
618		312V+318H	312V+318V
419		213V+219H	213V+219V
519		314V+219H	
420		215V+220H	
520		315V+220H	



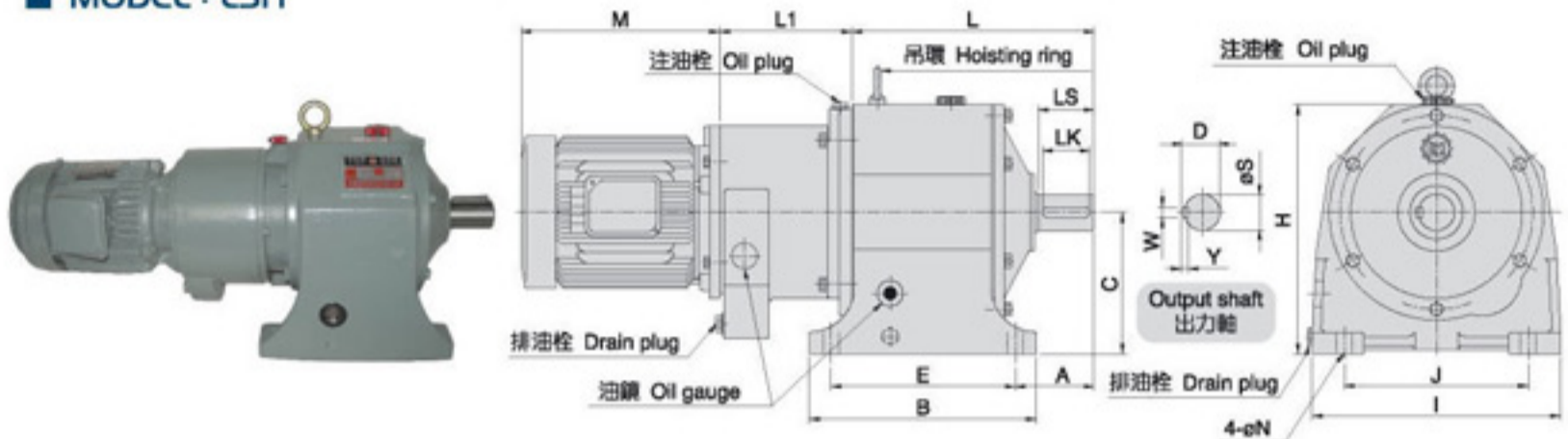
多速比減速機型號速比一覽表 (速比超過1/6000以上請另議) Model/Speed Ratio Table for Multi-stage Reducer (speed ratio above 1/6000 excluded)							
馬力 HorsePower		型號 MODEL	減速比 RATIO				
			1/210~1/600		1/610~1/1200		1/1210~1/6000
4P	6P		型號 (扭距) Model (Torque)	型號 (扭距) Model (Torque)	型號 (扭距) Model (Torque)	型號 (扭距) Model (Torque)	型號 (扭距) Model (Torque)
1/4			406 (25kg-m)	408 (45kg-m)	508 (45kg-m)	512 (90kg-m)	610 (72kg-m) 614 (140kg-m)
1/2	1/4		408 (45kg-m)	412 (90kg-m)	510 (72kg-m)	514 (140kg-m)	612 (90kg-m) 617 (360kg-m)
1	1/2		410 (72kg-m)	414 (140kg-m)	512 (90kg-m)	516 (250kg-m)	614 (140kg-m) 618 (720kg-m)
2	1		412 (90kg-m)	416 (250kg-m)	514 (140kg-m)	517 (360kg-m)	616 (250kg-m) 619 (1200kg-m)
3	2		414 (140kg-m)	417 (360kg-m)	516 (250kg-m)	518 (720kg-m)	617 (360kg-m)
5	3		416 (250kg-m)	418 (720kg-m)	517 (360kg-m)	519 (1200kg-m)	618 (720kg-m)
7.5	5		417 (360kg-m)	419 (1200kg-m)	518 (720kg-m)	520 (1800kg-m)	619 (1200kg-m)
10	7.5		418 (720kg-m)	420 (1800kg-m)	519 (1200kg-m)		
15	10		419 (1200kg-m)		520 (1800kg-m)		
20	15		420 (1800kg-m)				

- (kg-m)出力軸扭距容許值 Remissible torque for output shaft
- 速比超過1/6000以上請另議

■ 臥式多速比減速機

HORIZONTAL MULTI-STAGE REDUCER

■ MODEL : LSH



■ 減速比 RATIO 1/200~1/6000

尺寸表 Dimension

單位：m/m

型號 MODEL	L	L1	M	A	C	H	腳座 FOOT STOCK					出力軸 OUTPUT SHAFT				重量 Weight (KG)
							E	J	B	I	N	D	LS	S	WxYxLK	
LSH-406	226	103	225	81	127	227	170	180	210	230	15	35	55	32	10x8x45	30
LSH-408	259	151	248	87	145	253	205	195	240	260	15	41	60	38	10x8x50	41
LSH-508	259	103	225	87	145	253	205	195	240	260	15	41	60	38	10x8x50	42
LSH-410	284	155	242	92	164	289	215	215	265	295	19	45	65	42	12x8x55	62
LSH-510	294	166	248	92	164	289	215	215	265	295	19	45	65	42	12x8x55	66
LSH-610	306	132	225	92	164	289	215	215	265	295	19	45	65	42	12x8x55	70
LSH-412	325	155	322	109	192	332	250	270	310	340	19	51	75	48	12x8x65	83
LSH-512	337	155	242	109	192	332	250	270	310	340	19	51	75	48	12x8x65	87
LSH-612	337	166	248	109	192	332	250	270	310	340	19	51	75	48	12x8x65	94
LSH-414	390	196	315	130	210	385	310	310	370	405	22	66	85	62	15x10x75	139
LSH-514	390	173	322	130	210	385	310	310	370	405	22	66	85	62	15x10x75	145
LSH-614	417	173	242	131	210	385	310	310	370	405	22	66	85	62	15x10x75	149
LSH-416	468	196	371	151	245	445	360	360	430	455	25	80.5	100	76	20x12x90	207
LSH-516	486	196	315	151	245	445	360	360	430	455	25	80.5	100	76	20x12x90	222
LSH-616	486	219	322	151	245	445	360	360	430	455	25	80.5	100	76	20x12x90	228
LSH-417	511	225	374	172	280	505	380	420	460	535	25	84.5	110	80	20x12x100	276
LSH-517	511	235	371	172	280	505	380	420	460	535	25	84.5	110	80	20x12x100	283
LSH-617	526	209	315	178	280	505	380	420	460	535	25	84.5	110	80	20x12x100	290
LSH-418	607	225	412	196	310	575	480	480	570	605	28	84.5	130	100	24x16x120	395
LSH-518	628	225	374	196	310	575	480	480	570	605	28	106.5	130	100	24x16x120	519
LSH-618	628	235	371	196	310	575	480	480	570	605	28	106.5	130	100	24x16x120	526
LSH-419	685	273	498	214	380	670	540	500	635	670	28	124	150	115	32x20x140	630
LSH-519	685	282	412	214	380	670	540	500	635	670	28	124	150	115	32x20x140	643
★LSH-420	801	329	542	274	430	800	600	680	700	850	38	139	180	130	35x22x170	
★LSH-520	801	347	498	274	430	800	600	680	700	850	38	139	180	130	35x22x170	

※重量不含馬達 Motor weight exclusive

★表使用圓形外殼

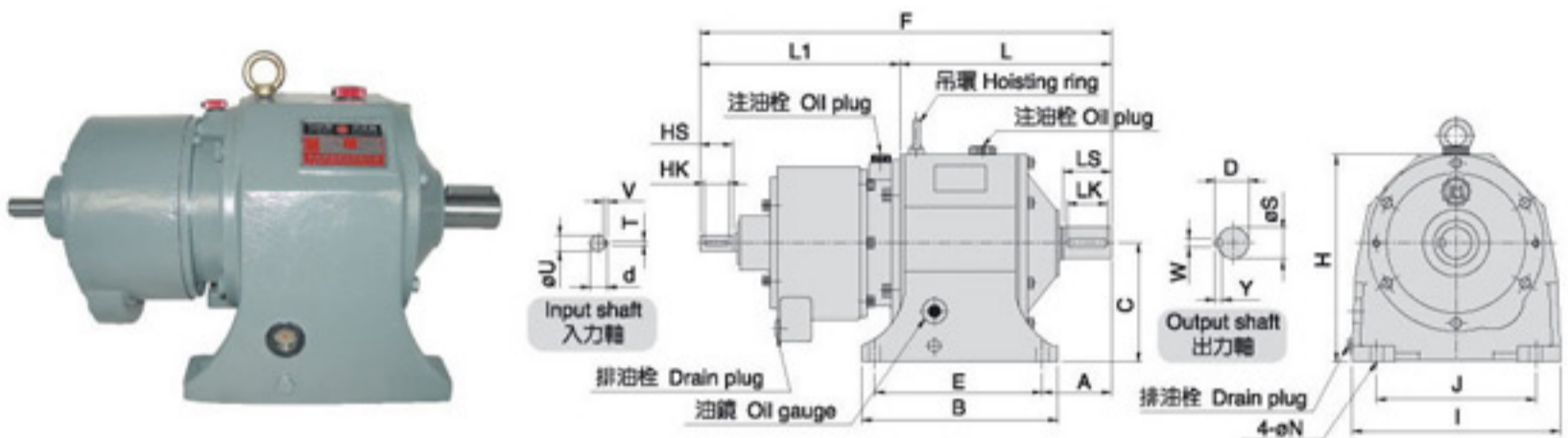


# 多速比多段齒輪減速機系列 VERTICAL REDUCER SERIES

## ■ 臥式多速比雙軸減速機

HORIZONTAL MULTI-STAGE & DOUBLE REDUCER

## ■ MODEL : LSHD



## ■ 減速比 RATIO 1/200~1/6000

尺寸表 Dimension

單位：m/m

型號 MODEL	L	L1	F	A	C	H	入力軸 INPUT SHAFT				腳座 FOOT STOCK					出力軸 OUTPUT SHAFT				重量 Weight (KG)
							U	HS	TxVxHK	d	E	J	B	I	N	S	LS	D	WxYxLK	
LSHD-406	226	190	416	81	127	227	16	35	5x5x25	18	170	180	210	230	15	32	55	35	10x8x45	34
LSHD-408	259	243	502	87	145	253	19	40	5x5x30	21	205	195	240	260	15	38	60	41	10x8x50	42
LSHD-508	259	190	449	87	145	253	16	35	5x5x25	18	205	195	240	260	15	38	60	41	10x8x50	44
LSHD-410	283	292	575	92	164	289	24	50	7x7x40	27	215	215	265	295	19	42	65	45	12x8x55	68
LSHD-510	283	268	551	92	164	289	19	40	5x5x30	21	215	215	265	295	19	42	65	45	12x8x55	72
LSHD-610	306	215	521	92	164	289	16	35	5x5x25	18	215	215	265	290	19	42	65	45	12x8x55	76
LSHD-412	325	292	617	109	192	332	24	50	7x7x40	27	250	270	310	340	19	48	75	51	12x8x65	89
LSHD-512	337	292	629	109	192	332	24	50	7x7x40	27	250	270	310	340	19	48	75	51	12x8x65	96
LSHD-612	337	268	605	109	192	332	19	40	5x5x30	21	250	270	310	340	19	48	75	51	12x8x65	100
LSHD-414	390	336	726	130	210	385	28	55	7x7x45	31	310	310	370	405	22	62	85	66	15x10x75	147
LSHD-514	400	310	710	130	210	385	24	50	7x7x40	27	310	310	370	405	22	62	85	66	15x10x75	141
LSHD-614	400	310	710	131	210	385	19	40	5x5x30 7x7x45	21 27	310	310	370	405	22	62	85	66	15x10x75	145
LSHD-416	468	336	804	151	245	445	28	55	7x7x45	31	360	360	430	455	25	76	100	80.5	20x12x90	215
LSHD-516	486	336	822	151	245	445	28	55	7x7x45	31	360	360	430	455	25	76	100	80.5	20x12x90	230
LSHD-616	486	353	839	151	245	445	24	50	7x7x40	27	360	360	430	455	25	76	100	80.5	20x12x90	234
LSHD-417	511	379	890	178	280	505	32	55	10x8x45	35	380	420	460	535	25	80	110	84.5	20x12x100	285
LSHD-517	511	370	881	178	280	505	28	55	7x7x45 10x8x50	31 35	380	420	460	535	25	80	110	84.5	20x12x100	292
LSHD-617	526	353	879	178	280	505	28	55	7x7x45	31	380	420	460	535	25	80	110	84.5	20x12x100	296
*LSHD-418	607	386	993	196	310	575	32	60	10x8x50	35	480	480	570	605	28	100	130	106.5	24x16x120	404
*LSHD-518	628	386	1014	196	310	575	28	55	7x7x45 10x8x50	31 35	480	480	570	605	28	100	130	106.5	24x16x120	528
*LSHD-618	628	370	998	196	310	565	28	55	7x7x45	31	480	480	570	605	28	100	130	106.5	24x16x120	535
*LSHD-419	676	451	949	214	380	670	38	65	10x8x55	41	540	500	635	670	28	115	150	124	32x20x140	650
*LSHD-519	676	431	1107	214	380	670	32	55	10x8x45	35	540	500	635	670	28	115	150	124	32x20x140	652
*LSHD-420	801	555	1337	274	430	800	48	80	12x8x70	51	600	680	700	850	38	130	180	139	35x22x170	
*LSHD-520	801	522	1304	274	430	800	38	65	10x8x55	41	600	680	700	850	38	130	180	139	35x22x170	

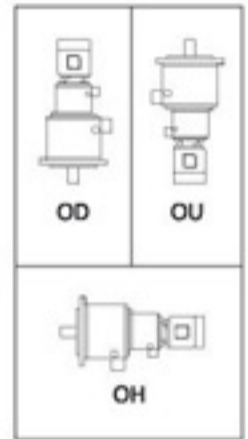
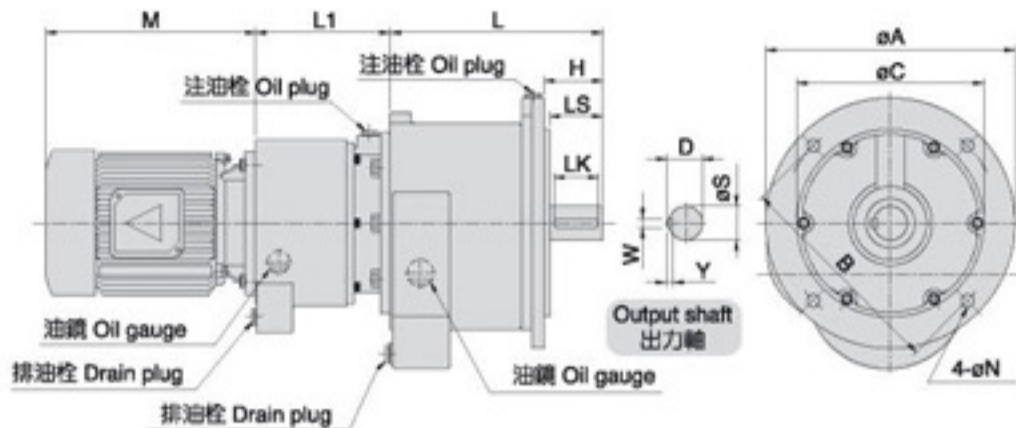
★表使用圓形外殼

■ 立式多速比減速機

VERTICAL MULTI-STAGE REDUCER

■ MODEL : LSV

使用方向  
Direction of Installation



■ 減速比 RATIO 1/200~1/6000

尺寸表 Dimension

單位 : m/m

型號 MODEL	馬力 HP (4P)	L	L1	M	法蘭面 FLANGE				出力軸 OUTPUT SHAFT				重量 Weight (KG)	
					A	B	C	N	D	LS	S	WxYxLK		H
LSV-406	1/4	216	103	225	240	215	180	14	35	55	32	10x8x45	60	28
LSV-408	1/2	239	151	248	280	245	210	14	41	60	38	10x8x50	66	35
LSV-508	1/4	239	103	225	280	245	210	14	41	60	38	10x8x50	65	38
LSV-410	1	266	155	242	330	300	250	18	45	65	42	12x8x55	70	59
LSV-510	1/2	266	166	248	330	300	250	18	45	65	42	12x8x55	70	63
LSV-610	1/4	289	132	225	330	300	250	18	45	65	42	12x8x55	70	64
LSV-412	2	305	155	322	380	335	290	18	51	75	48	12x8x65	80	79
LSV-512	1	315	155	242	380	335	290	18	51	75	48	12x8x65	80	86
LSV-612	1/2	315	166	248	380	335	290	18	51	75	48	12x8x65	80	90
LSV-414	3	363	196	315	450	400	350	22	66	85	62	15x10x75	90	132
LSV-514	2	363	156	322	450	400	350	22	66	85	62	15x10x75	90	132
LSV-614	1	372	166	242	450	400	350	22	66	85	62	15x10x75	90	133
LSV-416	5	434	196	371	500	450	400	24	80.5	100	76	20x12x90	105	179
LSV-516	3	452	196	315	500	450	400	24	80.5	100	76	20x12x90	105	202
LSV-616	2	452	219	322	500	450	400	24	80.5	100	76	20x12x90	105	203
LSV-417	7 1/2	479	225	374	590	540	480	24	84.5	110	80	20x12x100	115	275
LSV-517	5	479	235	371	590	540	480	24	84.5	110	80	20x12x100	115	282
LSV-617	3	484	209	315	590	540	480	24	84.5	110	80	20x12x100	115	270
LSV-418	10	565	225	412	660	610	560	24x6	106.5	130	100	24x16x120	135	388
LSV-518	7 1/2	599	225	374	660	610	560	24x6	106.5	130	100	24x16x120	135	445
LSV-618	5	599	235	371	660	610	560	24x6	106.5	130	100	24x16x120	135	452

\*重量不含馬達 Motor weight exclusive



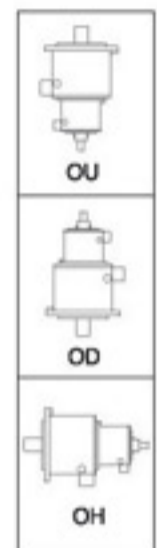
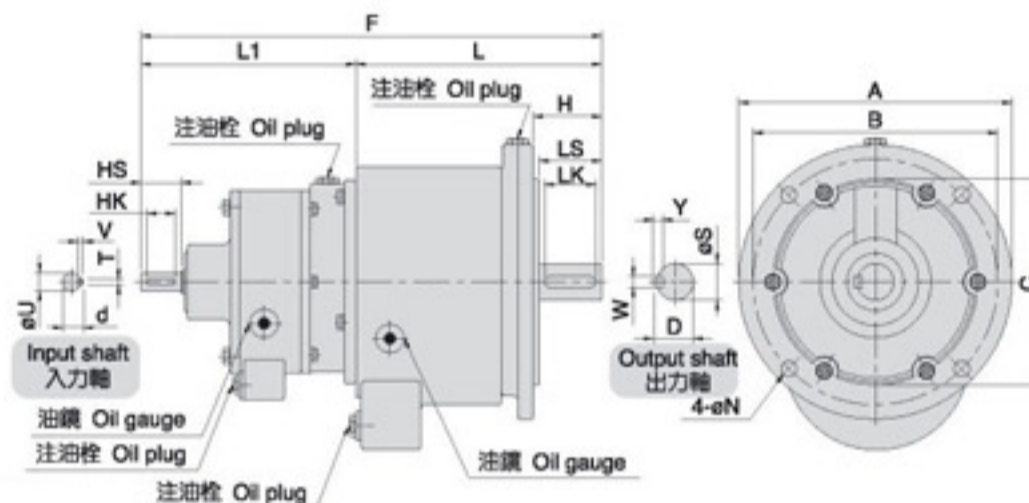
# 多速比多段齒輪減速機系列 VERTICAL REDUCER SERIES

## ■ 立式多速比減速機

VERTICAL MULTI-STAGE & DOUBLE SHAFT REDUCER

## ■ MODEL : LSVD

使用方向  
Direction  
of Installation



## ■ 減速比 RATIO 1/200~ 1/6000

尺寸表 Dimension

單位 : m/m

型號 MODEL	L	L1	F	法蘭面 FLANGE				入力軸 INPUT SHAFT				出力軸 OUTPUT SHAFT				重量 Weight (KG)	
				A	B	C	N	d	HS	TxVxHK	U	D	LS	S	WxYxLK		H
LSVD-406	216	190	406	240	215	180	14	18	35	5x5x25	16	35	55	32	10x8x45	60	32
LSVD-408	239	243	482	280	245	210	14	21	40	5x5x30	19	41	60	38	10x8x50	66	41
LSVD-508	239	190	429	280	245	210	14	18	35	5x5x25	16	41	60	38	10x8x50	65	39
LSVD-410	266	292	558	330	300	250	18	27	50	7x7x40	24	45	65	42	12x8x55	70	65
LSVD-510	266	268	534	330	300	250	18	21	40	5x5x30	19	45	65	42	12x8x55	70	69
LSVD-610	289	215	504	330	300	250	18	18	35	5x5x25	16	45	65	42	12x8x55	70	75
LSVD-412	305	292	597	380	335	290	18	27	50	7x7x40	24	51	75	48	12x8x65	80	85
LSVD-512	315	292	607	380	335	290	18	27	50	7x7x40	24	51	75	48	12x8x65	80	89
LSVD-612	315	268	583	380	335	290	18	21	40	5x5x30	19	51	75	48	12x8x65	80	96
LSVD-414	363	336	699	450	400	350	22	31	55	7x7x45	28	66	85	62	15x10x75	90	110
LSVD-514	378	293	656	450	400	350	22	27	50	7x7x40	24	66	85	62	15x10x75	90	132
LSVD-614	378	268	640	450	400	350	22	21 27	40 50	5x5x30 7x7x45	19 24	66	85	62	15x10x75	90	136
LSVD-416	434	336	770	500	450	400	24	31	55	7x7x45	28	80.5	100	76	20x12x90	105	187
LSVD-516	452	336	788	500	450	400	24	31	55	7x7x45	28	80.5	100	76	20x12x90	105	210
LSVD-616	452	353	805	500	450	400	24	27	50	7x7x40	24	80.5	100	76	20x12x90	105	214
LSVD-417	479	379	858	590	540	480	24	35	55	10x8x45	32	84.5	110	80	20x12x100	115	284
LSVD-517	479	370	849	590	540	480	24	31 35	55 60	7x7x45 10x8x50	28 32	84.5	110	80	20x12x100	115	282
LSVD-617	484	353	825	590	540	480	24	31	55	7x7x45	28	84.5	110	80	20x12x100	115	281
LSVD-418	565	386	951	660	610	560	24x6	35	60	10x8x50	32	106.5	130	100	24x16x120	135	397
LSVD-518	599	386	986	660	610	560	24x6	31 35	55 60	7x7x45 10x8x50	28 32	106.5	130	100	24x16x120	135	454
LSVD-618	599	370	969	660	610	560	24x6	31	55	7x7x45	28	106.5	130	100	24x16x120	135	461

### ● 運轉靜音

在圓滑滾動接觸的負載傳動機構造部份，全部使用高精密度研磨處理加工齒型，所以運轉圓滑而肅靜。

### ● 扭力大，效率高

高速的A齒輪採用Skiving加工，B齒輪經研磨。

### ● 體積小，省空間

體積更小，但性能更好，是產品另一項優異的特色之一，其目的在於節省不必要的空間，以因應時代的需求。

### ● 耐久性強，壽命長

能同時嚙合數齒大連續曲線齒型，能耐強大的衝擊在主要的減速機構造，採用耐磨耗性和耐疲勞性之鋼材，所以耐久性強壽命長，適用於停車場設備等。

### ● Silent Operation

The rolling contact part of the load driven mechanism are made of high-precision milled gear which ensures a smooth and silent operation.

### ● High Torque and High Efficiency

High speed gear A is treated by skiving and gear B by milling.

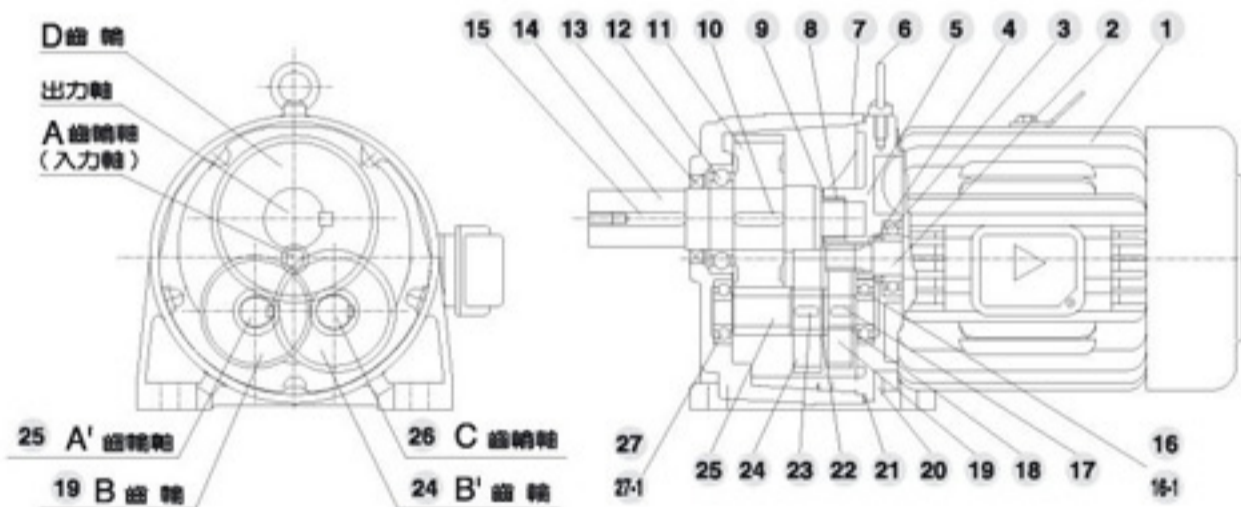
### ● Compactness and Space Saving

Another excellent feature of this product is compactness as well as superior performance for meeting the modern demand for space.

### ● Strong Durability and Long Lifetime

The product can fit multiple continuous curving gears at the same time and endure heavy shock. The main parts of gear reducer are made of steel materials which resistant high to abrasion and fatigue so that strong durability and long lifetime are obtained.

The product is suitable for parking lot facility.



編號 No.	零件名稱 Parts Name	編號 No.	零件名稱 Parts Name	編號 No.	零件名稱 Parts Name
1	馬達 Motor	11	D齒輪 D Gear	20	六角承窩頭螺絲 Hex.Screw
2	A齒輪軸 A Gear Shaft	12	滾珠軸承 Ball Bearing	21	油封 Oil Seal
3	滾珠軸承 Ball Bearing	13	油封 Oil Seal	22	扣環 Snap Ring
4	油封 Oil Seal	14	出力軸 Output Shaft	23	雙圓鍵 Key
5	後蓋 Rear Cover	15	單圓鍵 Key	24	B'齒輪 B' Gear
6	吊環 Hoisting Ring	16	滾珠軸承 Ball Bearing	25	A'齒輪軸 A' Gear Shaft
7	齒輪箱 Gear Shell	16-1	滾珠軸承 Ball Bearing	26	C齒輪軸 C Gear Shaft
8	滾針軸承 Needle Bearing	17	雙圓鍵 Key	27	滾珠軸承 Ball Bearing
9	鋼墊圈 Washer	18	扣環 Snap Ring	27-1	滾珠軸承 Ball Bearing
10	雙圓鍵 Key	19	B齒輪 B Gear		

**RCGH**



**RCGV**



**RCHW**



### Large Speed Regulating Range; High Reduction Ratio

The speed shifting mechanism with speed shifting ratio 1:6 at 4P60Hz can serve 200-1200 rpm and even down to 1 rpm while going with speed reducer.

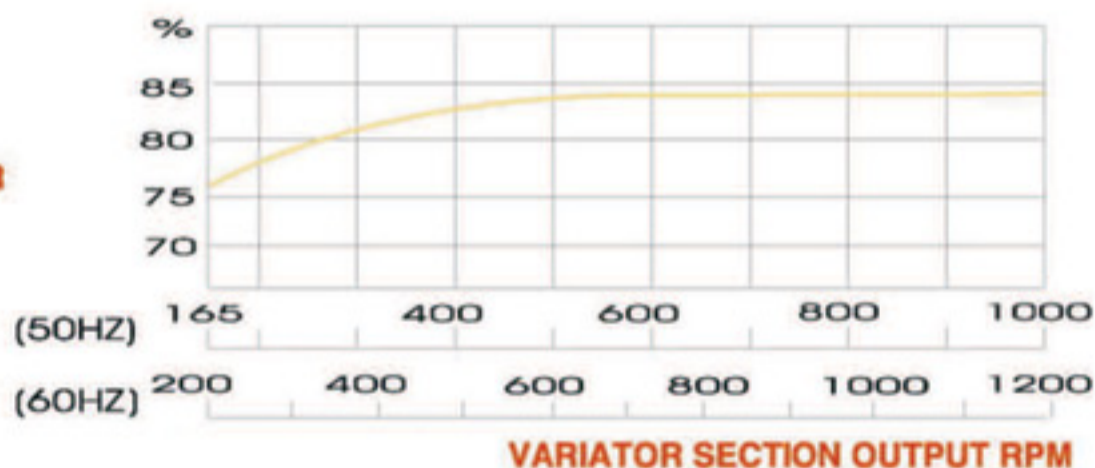
### Reliable Performance and High Loading Capability

Special precision structure provides high resistance to impact loading and reverse loading in addition to high efficient operation and easy maintenance.

### Operation Notices:

1. Do not regulate the speed under stop conditions.
2. For full loading condition, please regulate to low speed and restart.
3. Avoid overload operation.

**EFFICIENCY OF VARIATOR**



R.P.M OF THE OUTPUT SHAFT									
RATIO	1/5	1/10	1/15	1/20	1/25	1/30	1/40	1/50	1/60
4P 50HZ OUT RPM	33~200	16.5~100	11~66.67	8.25~50	6.6~40	5.5~33.3	4.125~25	3.3~20	2.75~16.67
4P 60HZ OUT RPM	40~240	20~120	13.33~80	10~60	8~48	6.67~40	5~30	4~24	3.33~20
RATIO	1/70	1/80	1/100	1/120	1/130	1/150	1/180	1/200	
4P 50HZ OUT RPM	2.36~14.29	2.06~12.5	1.65~10	1.38~8.33	1.27~7.69	1.1~6.66	0.92~5.56	0.83~5	
4P 60HZ OUT RPM	2.86~17.14	2.5~15	2~12	1.67~10	1.54~9.23	1.33~8	1.11~6.67	1~6	

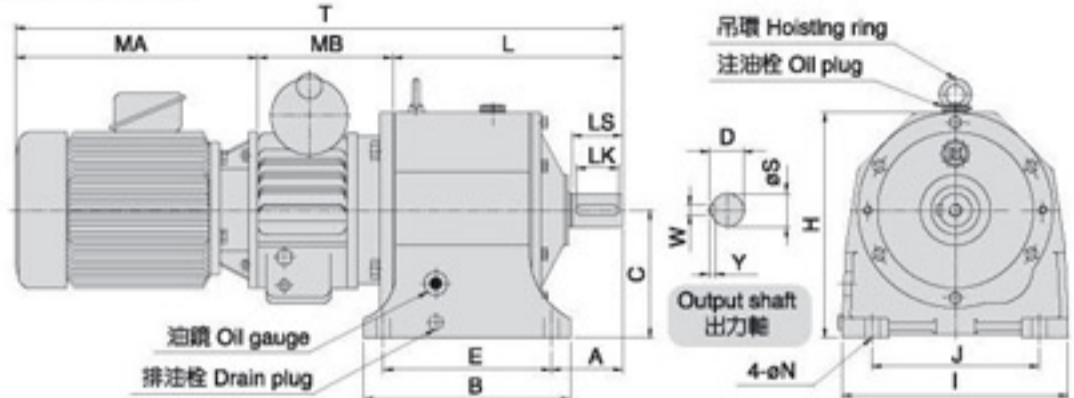


# 減速機附無段變速系列 REDUCER WITH VARIATOR SERIES

## ■ 臥式減速機附無段變速

HORIZONTAL TYPE REDUCER WITH VARIATOR

## ■ MODEL : RCGH



尺寸表 Dimension

單位 : m/m

型號 MODEL	馬力 HP (4P)	齒輪段減速比 GEAR RATIO	T	L	MA	MB	H	C	A	腳座 FOOT STOCK					出力軸 OUTPUT SHAFT				重量 Weight (KG)
										E	J	B	I	N	D	LS	WxYxLK	S	
★ 202	1/2	5 10	512	172	225	115	170	90	60	125	140	155	180	10	27	45	7x7x35	24	34
203	1/2	10 15 20 25 30	520	180	225	115	190	110	62	135	145	170	190	13	27	45	7x7x35	24	37
205	1	5 10 15 20 25 30	602	223	242	137	227	127	77	170	180	210	230	15	31	50	7x7x40	28	57
206	2	5 10	723	228	322	173	227	127	80	170	180	210	250	15	35	55	10x8x45	32	80
207	2	15 20 25 30	752	257	322	173	253	145	82	205	195	240	255	15	35	55	10x8x45	32	86
208	3	5 10	785	262	315	208	265	145	87	205	195	240	255	15	41	60	10x8x50	38	120
209	3	15 20 25 30	802	279	315	208	289	164	87	215	215	265	295	19	41	60	10x8x50	38	133
210	5	5 10	863	284	371	208	289	164	92	215	215	265	295	19	45	65	12x8x55	42	150
211	5	15 20 25 30	904	325	371	208	332	192	109	250	270	310	340	19	51	75	12x8x65	48	171
212	7 1/2	5 10	948	325	374	249	332	192	109	250	270	310	340	19	51	75	12x8x65	48	251
213	7 1/2	15 20 25 30	1011	388	374	249	385	210	126	310	310	370	410	22	60	80	15x10x70	56	288
214	10	15 20 25 30	1054	393	412	249	385	210	131	310	310	370	410	22	66	85	15x10x75	62	301
306	1/2	60 70 80 100 120	584	244	225	115	227	127	80	170	180	210	260	15	35	55	10x8x45	32	48
308	1/2	130 150 180 200	608	268	225	115													55
	1	40 50 60 70 80 100 120	638	259	242	137	253	145	87	205	195	240	260	15	41	60	10x8x50	38	65
310	2	30 40	754	259	322	173													88
	1	130 150 180 200	685	306	242	137													81
	2	60 70 80 100 120	791	296	322	173	289	164	92	215	215	265	295	19	45	65	12x8x55	42	104
312	3	30 40	819	296	315	208													137
	2	130 150 180 200	842	347	322	173													128
314	3	50 60 70 80 100 120	860	337	315	208	332	192	109	250	270	310	340	19	51	75	12x8x65	48	161
	5	30 40 50	916	337	371	208													178
315	3	130 150 180 200	940	417	315	208													206
	5	60 70 80 100 120	996	417	371	208	385	210	131	310	310	370	405	22	66	85	15x10x75	62	223
	7 1/2	30 40 50	1029	406	374	249													303
316	5	130 150 180 200	1067	488	371	208													289
	7 1/2	40 50 60 70 80 100 120	1111	488	374	249	445	245	151	360	360	430	460	25	76.5	100	20x12x90	72	369
316	10	30 40 50	1149	488	412	249													382
	10	40 50 60 70 80 100 120	1149	488	412	249	445	245	151	360	360	430	460	25	80.5	100	20x12x90	76	384

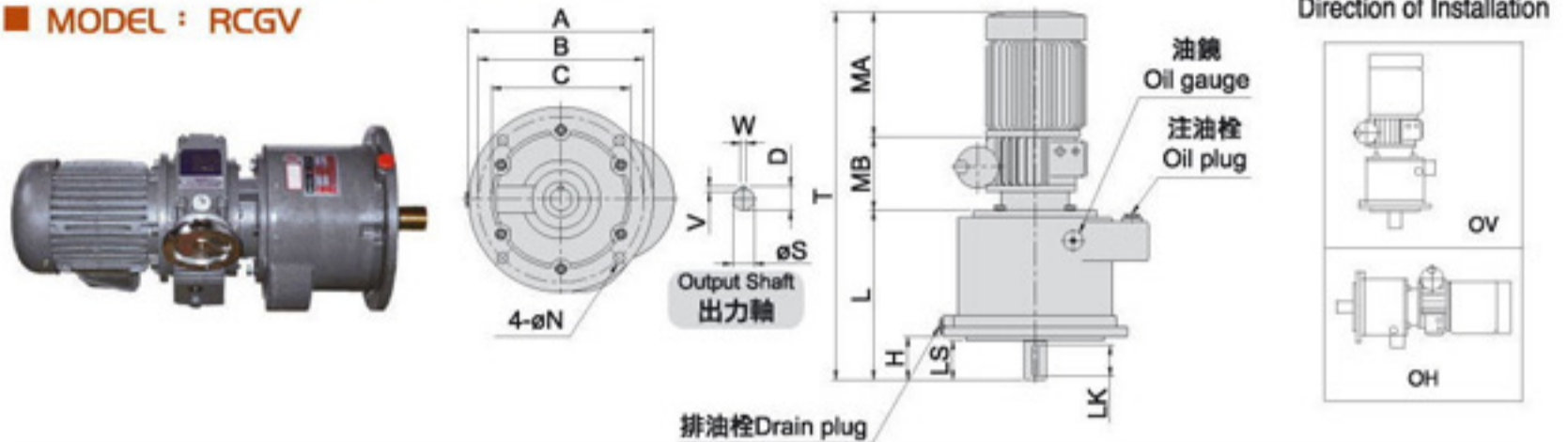
★表使用圓形外殼



### ■ 立式減速機附無段變速

VERTICAL TYPE REDUCER WITH VARIATOR

### ■ MODEL : RCGV



尺寸表 Dimension

單位：m/m

型號 MODEL	馬力 HP (4P)	齒輪段減速比 GEAR RATIO	MA	MB	L	T	H	法蘭面 FLANGE					出力軸 OUTPUT SHAFT			重量 Weight (KG)
								A	B	C	N	D	LS	S	WxYxLK	
★ 202	1/2	5 10	248	115	153	516	50	178	155	130	10	27	45	24	7x7x35	33
203	1/2	10 15 20 25 30	248	115	201	564	50	200	175	150	12	27	45	24	7x7x35	37
205	1	5 10 15 20 25 30	242	137	209	588	55	240	215	180	14	31	50	28	7x7x40	55
206	2	5 10	322	173	214	709	60	240	215	180	14	35	55	32	10x8x45	78
207	2	15 20 25 30	322	173	233	728	60	280	245	210	14	35	55	32	10x8x45	84
208	3	5 10	315	208	238	761	65	280	245	210	14	41	60	38	10x8x50	117
209	3	15 20 25 30	315	208	261	784	65	330	300	250	18	41	60	38	10x8x50	130
210	5	5 10	371	208	266	845	70	330	300	250	18	45	65	42	12x8x55	147
211	5	15 20 25 30	371	208	305	884	80	380	335	290	18	51	75	48	12x8x65	167
212	7 1/2	5 10	374	249	305	928	80	380	335	290	18	51	75	48	12x8x65	247
213	7 1/2	15 20 25 30	374	249	358	981	85	450	400	350	21	60	80	56	15x10x70	281
214	10	15 20 25 30	412	249	363	1024	90	450	400	350	21	66	85	62	15x10x75	294
306	1/2	60 70 80 100 120	248	115	234	597	60	240	215	180	14	35	55	32	10x8x45	49
308	1/2	130 150 180 200	248	115	246	609										52
	1	40 50 60 70 80 100 120	242	137	246	625	65	280	245	210	14	41	60	38	10x8x50	62
	2	30 40	322	173	238	733										85
310	1	130 150 180 200	242	137	279	658										80
	2	60 70 80 100 120	322	173	279	774	70	330	300	250	18	45	65	42	12x8x55	103
	3	30 40	315	208	269	792										136
312	2	130 150 180 200	322	173	325	820										124
	3	50 60 70 80 100 120	315	208	325	848	80	380	335	290	18	51	75	48	12x8x65	157
	5	30 40	371	208	315	894										174
314	3	130 150 180 200	315	208	387	910										197
	5	60 70 80 100 120	371	208	387	966	90	450	400	350	21	66	85	62	15x10x75	214
	7 1/2	30 40 50	374	249	366	989										294
315	5	130 150 180 200	371	208	452	1031										270
	7 1/2	60 70 80 100 120	374	249	452	1075	105	500	450	400	24	76.5	100	72	20x12x90	350
	10	30 40 50	412	249	452	1113										363
316	10	60 70 80 100 120	412	249	452	1113	105	500	450	400	24	80.5	100	76	20x12x90	364

★表使用圓形外殼



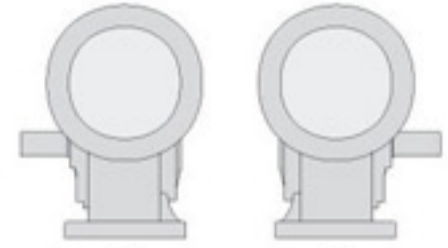
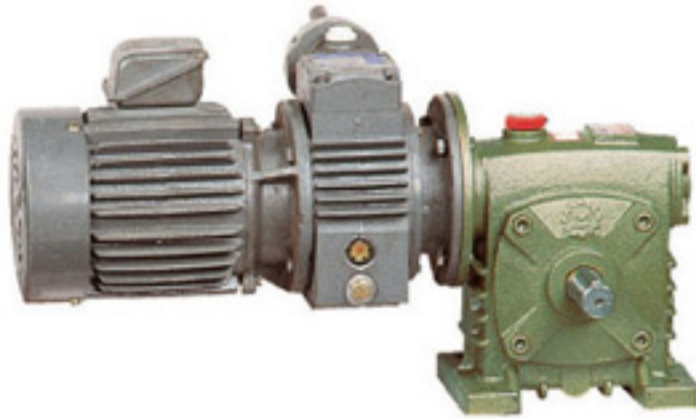
# 減速機附無段變速系列

## GEAR REDUCER WITH VARIATOR SERIES

### ■ 蝸輪減速機附無段變速

WORM REDUCER WITH VARIATOR

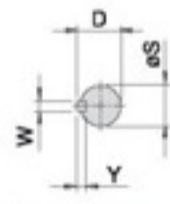
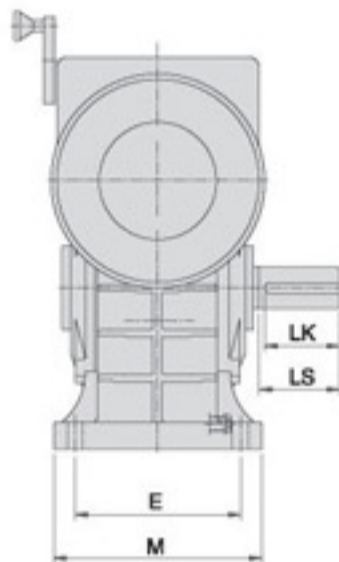
### ■ MODEL : RCHW



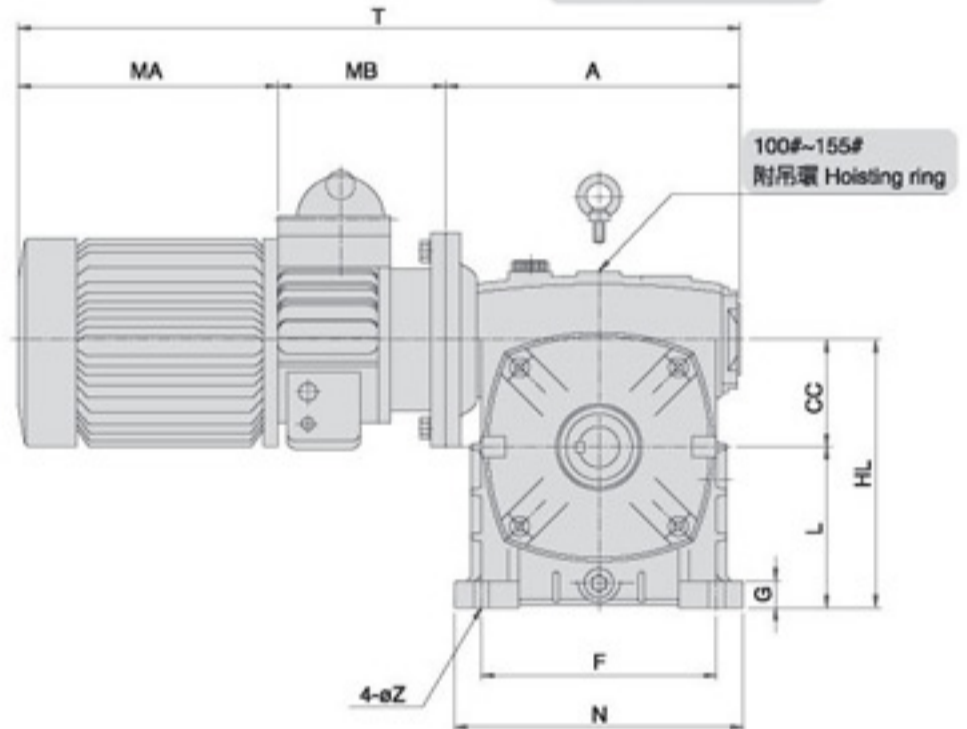
L

R

軸向選擇 Shaft Direction



Output shaft  
出力軸



### 尺寸表 Dimension

單位：m/m

減速比 RATIO	馬力 HP		A	MA	MB	CC	HL	L	T	腳座 FOOT STOCK					出力軸 OUTPUT SHAFT				重量 Weight (KG)	
	型號 MODEL	1/10~1/30								1/40~1/60	E	F	M	N	G	Z	LS	D		S
50	1/4		154	225	100	50	130	80	479	95	110	120	140	15	11	40	19	17	5x5x35	20
60	1/2	1/4	167	225	100	60	150	90	492	105	120	130	150	20	11	50	25	22	7x7x45	37
			248	115	530															
70	1	1/2	200	248	115	70	175	105	563	115	150	150	190	20	15	60	31	28	7x7x55	50
			242	137	579															
80	2	1	223	242	137	80	200	120	602	135	180	170	220	20	15	65	35	32	10x8x60	86
			322	173	718															
100	3	2	278	322	173	100	250	150	773	155	220	195	270	25	15	75	41	38	10x8x70	133
			315	208	801															
120	5	3	323	315	208	120	300	180	846	180	260	230	320	30	18	85	48	45	12x8x80	173
			371	208	902															
135	7 1/2	5	369	371	208	135	350	215	948	200	290	250	350	32	18	95	59	55	15x10x90	275
			374	249	992															
155	10	7 1/2	407	374	249	155	390	235	1030	220	320	260	390	38	20	110	64	60	15x10x105	336
			412	249	1068															

MODEL : GRV

MODEL : WRV



▲GRV-H



▲GRV-V



▲WRV-H



▲WRV-V

機種、形式表示 (DESCRIPTION OF TYPE)



特點：

- 安裝方便，客戶只需4孔基準孔即可。
- 體積小、組合角度，多種變化。
- 應用範圍廣、安裝容易、簡單。
- 密閉式、防塵、安全、易保養。
- 可承受較大衝擊力作業。(GRV)
- 特殊高速減速比。(GRV)

Belt Specifications and of Shaft Spacing Reference Table Features:

- Easy to install. Only four base holes for anchor bolts are required.
- Small size and multiple assembly angles.
- Wide applications; easy installation.
- Enclosed type; dust-proof, safe, and easy to maintain.
- Resistant to heavy shock loads. (GRV)
- High reduction ratio. (GRV)

皮帶規格與軸間距離參考表

馬力 HP (4P)	型號 MODEL GRV	型號 MODEL WRV	軸間距 CENTER DISTANCE	皮帶規格 BELT MODEL	皮帶減速比 BELT RATIO
1/4	201	50	163	1022V220	1:4
		60			
1/2	-	60	163	1422V240	1:3.5
		70			
		202			
	203	-	200	1422V270	1:3.5
1	206	306	211	1422V300	1:4
		205			
		70			
2	207	80	250	1422V330	1:4
		100			
		208			
3	209	80	235	1922V338	1:4
		100			
		120			
5	210	100	280	31x975	1:4
		120			
		211			
312					

出力軸轉速參考表 Output RPM for Reference

馬力 HP 減速比 RATIO	1/4HP		1/2HP		1HP		2HP		3HP		5HP	
	50Hz	60Hz	50Hz	60Hz	50Hz	60Hz	50Hz	60Hz	50Hz	60Hz	50Hz	60Hz
1/10	50~200	60~240	75~265	90~318	60~250	72~300	53~215	64~258	48~192	57~228	48~192	57~228
1/15	33~132	40~160	50~176	60~212	40~166	48~200	36~143	43~174	36~144	42.5~171	36~144	42.8~171
1/20	25~100	30~120	38~132	45~159	30~125	36~150	27~107	32~129	24~96	28.5~114	24~96	28.5~114
1/30	17~68	20~80	25~88	30~106	20~83	24~100	18~71	22~86	16~64	19~76	16~64	19~76
1/40	12.5~50	15~60	19~66	23~79	15~62	18~75	14~53	16~64	12~48	14.3~57	12~48	14.3~57
1/50	10~40	12~48	15~53	18~63	12~50	15~60	11~43	13~51	9.6~28.4	11.4~45.6	9.6~38.4	11.4~45.6
1/60	8.5~34	10~40	13~44	15~53	10~41	12~50	9~35	11~43	8~32	9.5~38	8~32	9.5~38



# 皮帶式無段變速系列

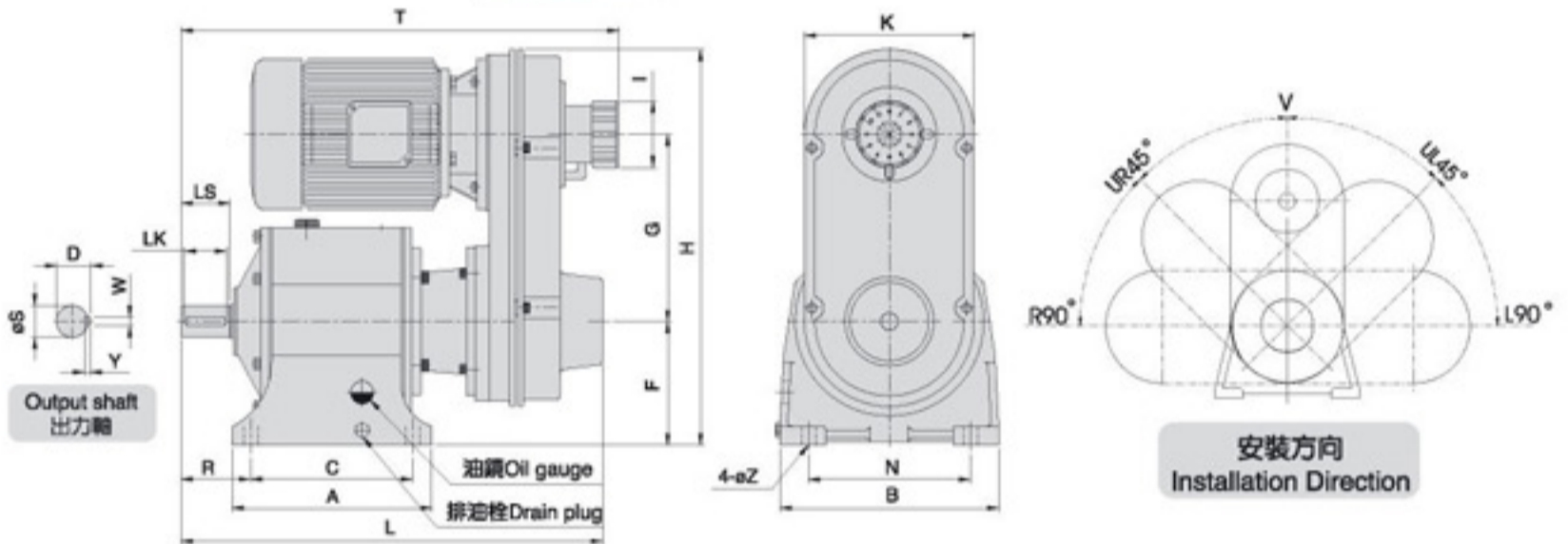
## GEAR REDUCER WITH BELT-VARIATOR SERIES



### 齒輪減速機附無段變速

GEAR REDUCER WITH VARIATOR

### MODEL : GRV-H



### 尺寸表 Dimension

單位 : m/m

馬力 HP (4P)	型號 MODEL	減速比 RATIO	K	F	G	H	I	L	T	R	腳座 FOOT STOCK					出力軸 OUTPUT SHAFT				重量 Weight (KG)
											A	B	C	N	Z	LS	S	D	WxYxLK	
1/4	★GRV-H201	5 10 15 20 25 30	185	90	162	345	70	331	381	53	155	180	125	140	10	38	19	21	5x5x33	24
	★GRV-H202	5 10	185	90	200	383	86	338	376	60	155	180	125	140	10	45	24	27	7x7x40	26
1/2	GRV-H203	15 20 25 30	185	110	200	403	86	377	415	62	170	195	135	145	13	45	24	27	7x7x40	29
	GRV-H205	40 50	185	127	200	420	86	429	467	77	210	230	170	180	15	50	28	31	7x7x45	41
1	GRV-H306	60 80 100 120	185	127	200	420	86	452	490	80	210	230	170	180	15	55	32	35	10x8x50	42
	GRV-H205	5 10 15 20 25 30	225	127	212	452	86	479	502	77	210	230	170	180	15	50	28	31	7x7x45	52
2	GRV-H308	40 50 60 80 100 120	228	145	248	505	86	516	539	87	245	255	205	195	15	60	38	41	10x8x55	60
	GRV-H206	5 10	225	127	248	488	86	484	519	80	210	230	170	180	15	55	32	35	10x8x50	63
3	GRV-H207	15 20 25 30	265	145	230	508	86	548	583	82	245	255	205	195	15	55	32	35	10x8x50	69
	★GRV-H208	5 10	265	145	280	558	86	551	586	87	245	255	205	195	15	60	38	41	10x8x55	80
5	GRV-H209	15 20 25 30	265	164	280	577	86	570	605	88	265	295	215	215	19	60	38	41	10x8x55	93
	GRV-H312	40 50 60 80 100 120	265	192	280	610	86	629	664	109	315	345	250	270	19	75	48	51	12x8x70	125
7 1/2	GRV-H210	5 10	290	164	290	599	86	579	609	92	265	295	215	215	19	65	42	45	12x8x60	109
	GRV-H211	15 20 25 30	290	192	290	627	86	621	651	109	310	340	250	270	19	75	48	51	12x8x70	130
7 1/2	GRV-H312	40 50 60	290	192	290	627	86	633	663	109	310	340	250	270	19	75	48	51	12x8x70	137
	GRV-H212	5 10	340	192	457	815	200	725	748	109	310	340	250	270	19	75	48	51	12x8x70	187
7 1/2	GRV-H213	15 20 30	340	210	457	833	200	788	811	131	380	410	310	310	22	80	56	60	15x10x75	224
	GRV-H314	35 40 50	340	210	457	833	200	795	818	131	380	410	310	310	22	85	62	66	15x10x80	239

★表使用圓形外殼

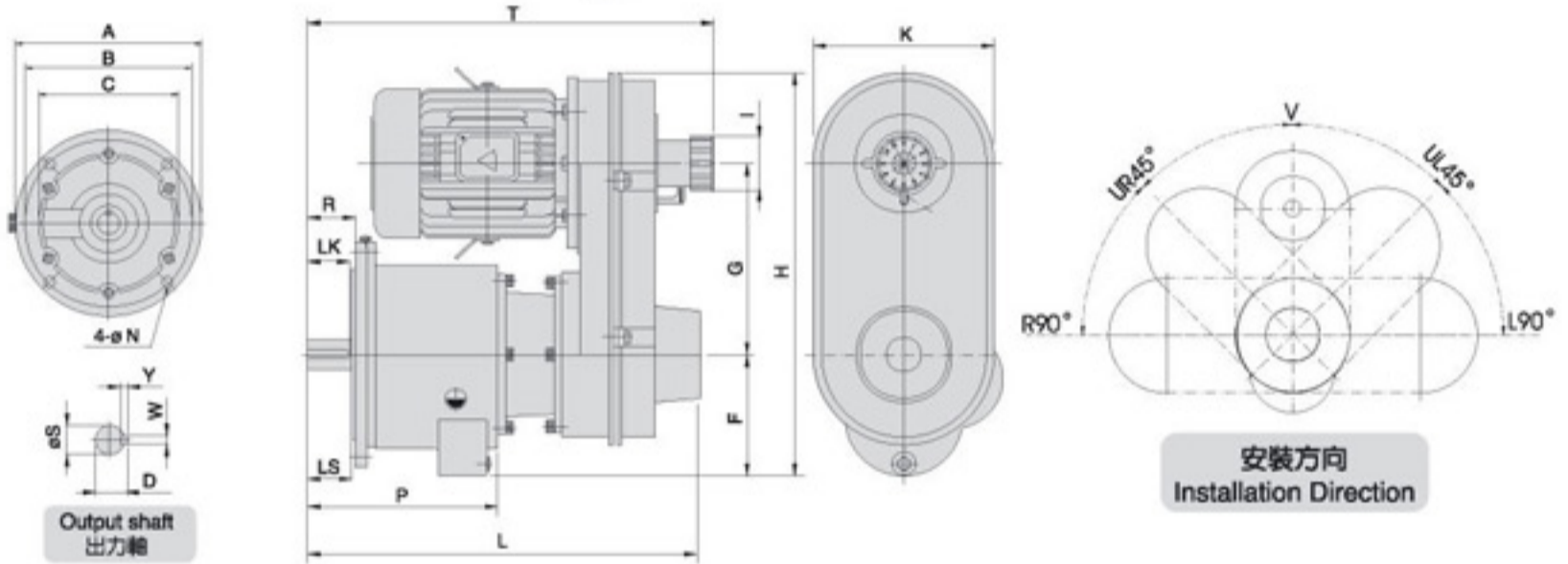




■ 齒輪減速機附無段變速

GEAR REDUCER WITH VARIATOR

■ MODEL : GRV-V



尺寸表 Dimension

單位 : mm

馬力 HP (4P)	型號 MODEL	減速比 RATIO	K	F	G	H	I	L	T	P	R	法蘭面 FLANGE				出力軸 OUTPUT SHAFT				重量 Weight (KG)
												A	B	C	N	LS	S	D	WxYxLK	
1/4	GRV-V201	5 10 15 20 25 30	185	105	162	360	70	313	363	145	43	178	155	130	10	38	19	21	5x5x33	21
	GRV-V202	5 10	185	105	162	360	86	320	358	153	50	178	155	130	10	45	24	27	7x7x40	25
1/2	GRV-V203	15 20 25 30	185	123	200	413	86	399	437	201	50	200	175	150	12	45	24	27	7x7x40	29
	GRV-V205	40 50	185	145	200	438	86	416	454	209	55	242	215	180	14	50	28	31	7x7x45	37
1	GRV-V306	60 80 100 120	185	145	200	438	86	424	462	234	60	242	215	180	14	55	32	35	10x8x50	41
	GRV-V205	5 10 15 20 25 30	225	145	212	470	86	466	489	209	55	242	215	180	14	50	28	31	7x7x45	50
2	GRV-V308	40 50 60 80 100 120	228	165	248	524	86	494	517	238	65	280	245	210	14	60	38	41	10x8x55	57
	GRV-V206	5 10	225	145	248	504	86	471	506	214	60	242	215	180	14	55	32	35	10x8x50	61
3	GRV-V207	15 20 25 30	265	165	230	528	86	526	561	233	60	280	245	210	14	55	32	35	10x8x50	67
	GRV-V208	5 10	265	165	280	578	86	529	564	238	65	280	245	210	14	60	38	41	10x8x55	77
5	GRV-V209	15 20 25 30	265	185	280	598	86	552	587	261	65	330	300	250	18	60	38	41	10x8x55	90
	GRV-V312	40 50 60 80 100 120	265	215	280	628	86	606	641	315	80	380	335	290	18	75	48	51	12x8x70	117
7 1/2	GRV-V210	5 10	290	185	290	620	86	561	591	266	70	330	300	250	18	65	42	45	12x8x60	106
	GRV-V211	15 20 25 30	290	215	290	650	86	600	630	305	80	380	335	290	18	75	48	51	12x8x70	126
7 1/2	GRV-V312	40 50 60	290	215	290	650	86	610	640	315	80	380	335	290	18	75	48	51	12x8x70	133
	GRV-V212	5 10	340	200	457	728	200	705	728	305	80	380	335	290	18	75	48	51	12x8x70	183
7 1/2	GRV-V213	15 20 25 30	340	230	457	781	200	758	781	358	85	450	400	350	21	80	56	60	15x10x75	220
	GRV-V314	35 40 50	340	230	457	789	200	766	789	366	90	450	400	350	21	85	62	66	15x10x80	235



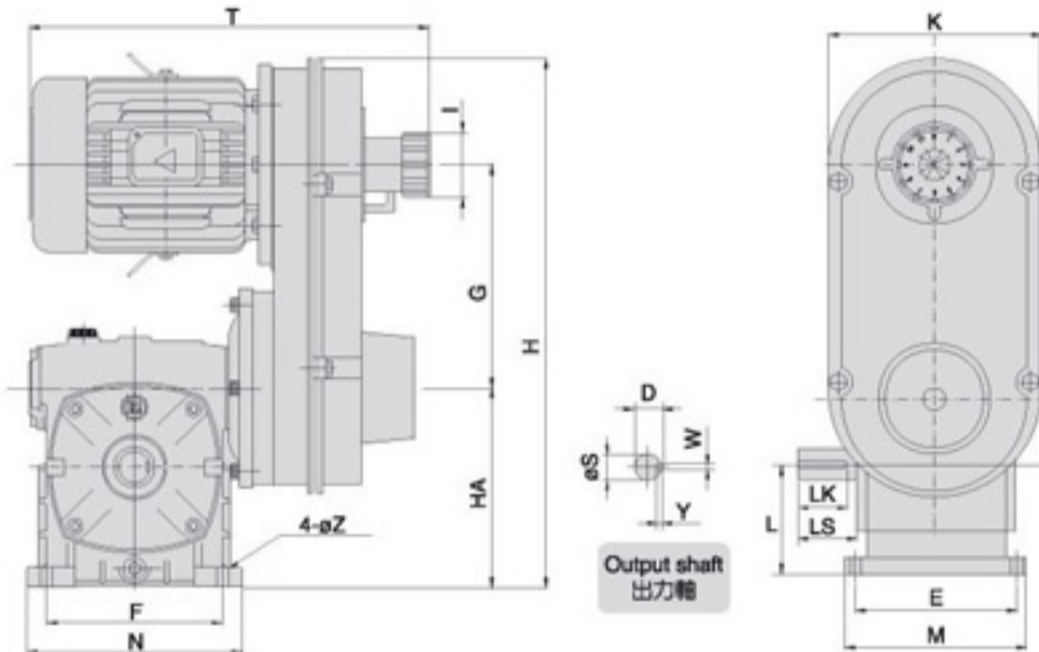
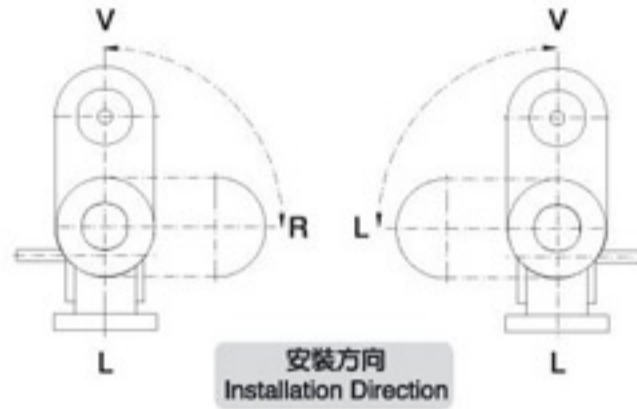
# 皮帶式無段變速系列

## GEAR REDUCER WITH BELT-VARIATOR SERIES

### ■ 蝸輪減速機附無段變速

WORM GEAR REDUCER WITH VARIATOR

### ■ MODEL : WRV-H



尺寸表 Dimension

單位 : m/m

型號 MODEL	減速比 RATIO	馬力 HP (4P)	L	I	K	T	HA	G	H	腳座 FOOT STOCK					出力軸 OUTPUT SHAFT				重量 Weight (KG)
										N	M	F	E	Z	S	D	LS	WxYxLK	
WRV-H50	10	1/4	80	70	185	375	130	162	385	143	121	110	95	11	17	19	40	5x5x35	23
WRV-H60		1/4	90	86	185	405	150	162	405	154	133	120	105	11	22	25	50	7x7x45	25
WRV-H70	20	1/2	105	86	185	405	175	200	468	195	152	150	115	15	28	31	60	7x7x55	32
		225			415	212		500											
WRV-H80	30	1	120	86	225	415	200	212	525	221	172	180	135	15	32	35	65	10x8x60	58
		265			536	230		563											
WRV-H100	40	2	150	86	265	536	250	230	613	270	195	220	155	15	38	41	75	10x8x70	83
		285			515	280		663											
WRV-H120	50	3	180	86	285	515	300	280	713	325	232	260	180	18	45	48	85	12x8x80	116
		285			565	290		735											
WRV-H120	60	5	180	86	285	565	300	290	735	325	232	260	180	18	45	48	85	12x8x80	132
		285			565	290		735											

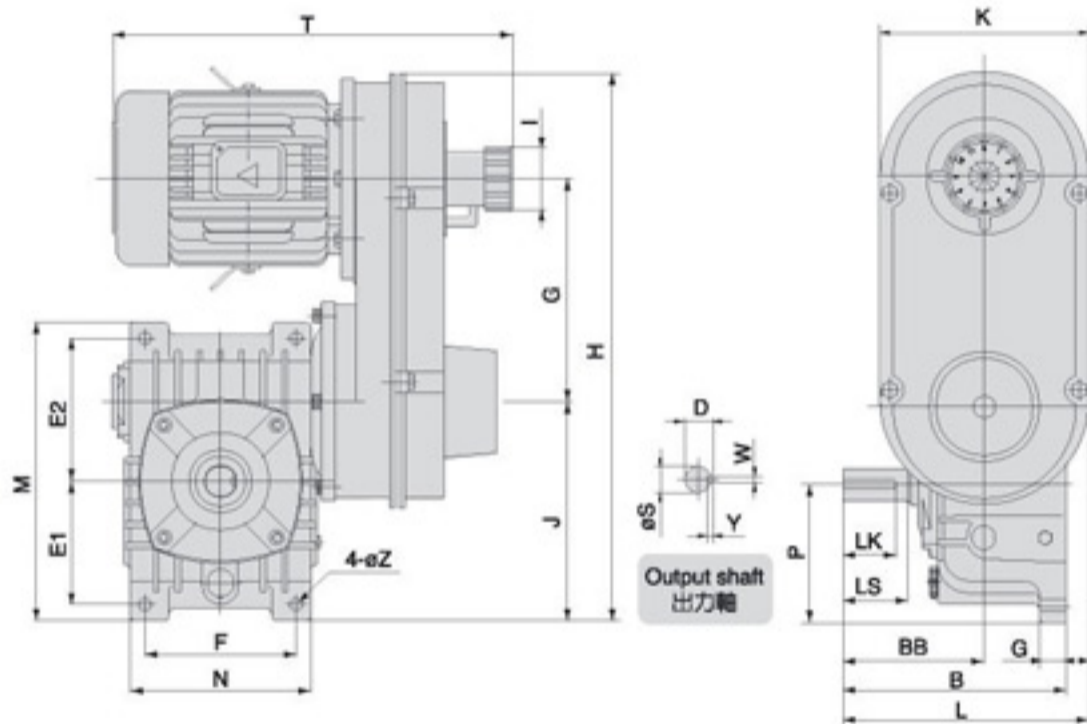
※重量不含馬達 Motor weight exclusive



■ 蝸輪減速機附無段變速

WORM GEAR REDUCER WITH VARIATOR

■ MODEL : WRV-V



尺寸表 Dimension

單位 : m/m

型號 MODEL	減速比 RATIO	馬力 HP (4P)	P	I	K	T	J	G	H	BB	B	L	腳座 FOOT STOCK						出力軸 OUTPUT SHAFT				重量 Weight (KG)	
													N	F	E1	E2	M	G	Z	S	D	LS		WxYxLK
WRV-V50	10	1/4	107	70	185	375	157	162	412	98	148	191	120	90	93	102	221	16	11	17	19	40	5x5x35	21
		1/4	125	86	185	405	185	162	440	110	165	204	130	100	105	120	263	18	11	22	25	50	7x7x45	24
WRV-V60	20	1/2	142	86	185	405	212	200	505	130	195	223	160	120	120	135	297	19	15	28	31	60	7x7x55	33
		1	152	86	225	415	212	212	537	140	210	243	180	140	130	150	322	20	15	32	35	65	10x8x60	46
WRV-V70	30	1	177	86	265	536	232	212	557	170	260	253	230	190	155	180	380	30	15	38	41	75	10x8x70	53
		2	211	86	280	515	277	230	595	190	290	273	266	220	185	215	452	30	18	45	48	85	12x8x80	64
WRV-V80	40	2	211	86	280	515	277	230	640	190	290	302	266	220	185	215	452	30	18	45	48	85	12x8x80	80
		3	211	86	280	515	277	280	690	190	290	302	266	220	185	215	452	30	18	45	48	85	12x8x80	90
WRV-V100	50	3	211	86	280	515	277	280	744	190	290	326	266	220	185	215	452	30	18	45	48	85	12x8x80	113
		5	211	86	280	565	331	290	766	190	290	336	266	220	185	215	452	30	18	45	48	85	12x8x80	129

※重量不含馬達 Motor weight exclusive

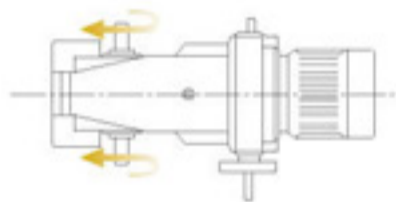
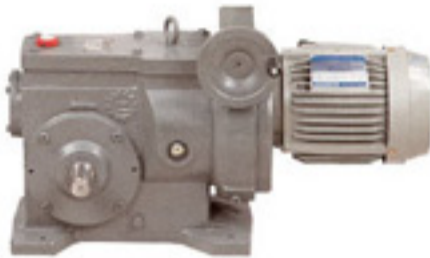


# 差速無段變速系列 RINGCONE VARIATOR SERIES

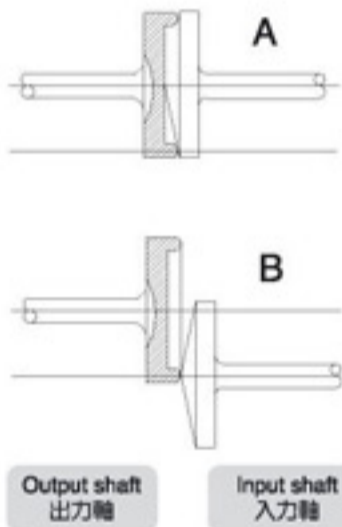
## ■ 差速無段變速機

RINGCONE VARIATOR

## ■ MODEL : RCV



旋轉方向  
Rotation Directions



Output shaft 出力軸  
Input shaft 入力軸

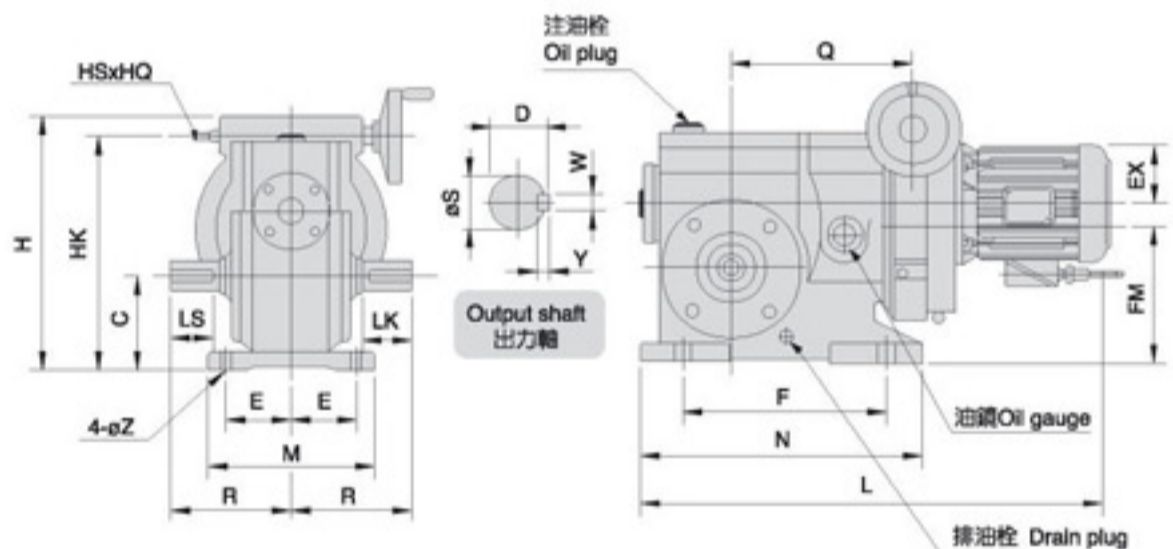
## 差速無段變速機之原理

1. 入力軸結合圓錐，使與之相接的圓盤旋轉。
2. 藉由手柄操作圓錐，使其中心點可從A圖的位置移至B圖的位置。
3. 圓錐位置改變，使圓錐與圓盤的接觸直徑比例改變，圓錐的旋轉速度也隨之改變，利用圓錐帶動蝸桿。
4. 應用這項原理，有效變速範圍可達1 : 10。

轉速 R.P.M.	4P	6P
60Hz	10~100	7~70
	5~50	3.5~35
	2.5~25	1.8~18
50Hz	9~90	6~60
	4~40	3~30
	2~20	1.5~15

## The Principle of Stepless Speed Shifting Machine

1. Input shaft connects to cone disc and then rotates the flange disc.
2. By turning the hand wheel, the center point of the cone disc shall be moved from A to B as shown in the figure.
3. The contact diameter ratio of cone disc to flange disc as well as the rotation speed of circular ring are subject to the position of cone disc by means of worm driving along with circular ring.
4. By this principle, effective speed shifting ratio can reach 1:10.



## 尺寸表 Dimension

單位：m/m

型號 MODEL	HSxHQ	H	HK	C	Q	EX	FM	R	L	腳座 FOOT STOCK					出力軸 OUTPUT SHAFT					重量 Weight (KG)	油量 Oil (l)
										E	F	M	N	Z	D	S	LS	LK	WxY		
RCV-400	13x19	287.5	263.5	100	204	19	153.5	140	557	85	260	200	328	11	27	24	50	55	7x7	59	2.3
RCV-700	13x19	324	298	120	224	24	178	157	628	90	280	220	360	11	31	28	60	65	7x7	77	3.3

## 出力軸轉速參考表 Output RPM for Reference

型號 MODEL	使用馬力 HP (4P)	出力軸轉速 Output Shaft	50Hz							60Hz						
			4	10	20	25	30	40	5	10	20	30	40	50		
RCV-400	1/2HP/220V	轉矩 (kg/cm)	280	480	660	660	620	500	280	425	620	600	490	410		
		電流 (A)	1.62	1.8	1.98	2.16	2.16	2.16	1.35	1.44	1.62	1.89	1.89	1.89		
RCV-700	1HP/220V	轉矩 (kg/cm)	560	960	1320	1320	1240	1000	560	850	1240	1200	980	820		
		電流 (A)	1.8	2.34	2.88	3.42	3.42	3.42	1.71	1.89	2.43	2.97	2.97	2.97		



故障情形 FAULT DESCRIPTION	故障原因 REASONS	解決方法 SOLUTIONS
減速機過熱 Over-heating	<ul style="list-style-type: none"> <li>* 超負荷運轉</li> <li>* 油封過度磨擦</li> <li>* 出力軸與傳動裝置連接不當</li> <li>* 衝擊荷重大</li> <li>* Overload.</li> <li>* Over friction of oil seal.</li> <li>* Improper connection between driving shaft and the transmission device.</li> <li>* Large impact loading.</li> </ul>	<ul style="list-style-type: none"> <li>* 調整至適當負荷</li> <li>* 在油封處滴潤滑油</li> <li>* 調整至適當位置</li> <li>* 更換較大型號減速機</li> <li>* Adjust to proper loading.</li> <li>* Drop lubricant at oil seal.</li> <li>* Adjust to proper position.</li> <li>* Use larger reduction gears.</li> </ul>
減速機雜音 Noise	<ul style="list-style-type: none"> <li>* 超負荷運轉</li> <li>* 軸承損傷或間隙過大</li> <li>* 潤滑油不足或劣化</li> <li>* 出力軸與傳動裝置連接不當</li> <li>* 螺栓鬆脫</li> <li>* 傳動裝置固定不良</li> <li>* Overload.</li> <li>* Bearing damaged or too large clearance.</li> <li>* Lubricant oil shortage or deterioration.</li> <li>* Improper connection between driving shaft and the transmission device.</li> <li>* Bolt loose.</li> <li>* Improper installation of transmission device.</li> </ul>	<ul style="list-style-type: none"> <li>* 調整至適當負荷</li> <li>* 更換軸承</li> <li>* 依指示加入適量潤滑油</li> <li>* 調整至適當位置</li> <li>* 旋緊螺栓</li> <li>* 傳動裝置固定</li> <li>* Adjust to proper loading.</li> <li>* Replace bearing.</li> <li>* Fill in adequate lubricant oil as indication.</li> <li>* Adjust to proper position.</li> <li>* Tighten bolt.</li> <li>* Fix transmission device properly.</li> </ul>
漏油 Oil leakage	<ul style="list-style-type: none"> <li>* 油封損傷</li> <li>* 油量過多</li> <li>* 螺絲鬆脫</li> <li>* 外殼破裂</li> <li>* Oil seal damaged.</li> <li>* Too much oil.</li> <li>* Screw loose.</li> <li>* Outer shell fractured.</li> </ul>	<ul style="list-style-type: none"> <li>* 更換油封</li> <li>* 依指示加入適量潤滑油</li> <li>* 旋緊螺絲</li> <li>* 更換外殼</li> <li>* Replace oil seal.</li> <li>* Fill in adequate lubricant oil as indication.</li> <li>* Tighten screw.</li> <li>* Replace outer shell.</li> </ul>
出力軸不轉 Output shaft cannot rotate	<ul style="list-style-type: none"> <li>* 超負荷運轉</li> <li>* 軸承損傷</li> <li>* 異物嵌入</li> <li>* 齒輪磨損</li> <li>* 馬達損壞</li> <li>* 配線錯誤</li> <li>* 衝擊荷重過大</li> <li>* Overload.</li> <li>* Bearing damaged.</li> <li>* Invasion by foreign objects.</li> <li>* Gear worn-out.</li> <li>* Motor out of order.</li> <li>* Incorrect wiring.</li> <li>* Large impact loading.</li> </ul>	<ul style="list-style-type: none"> <li>* 調整至適當負荷</li> <li>* 更換軸承</li> <li>* 取出異物</li> <li>* 更換齒輪</li> <li>* 修復馬達</li> <li>* 依指示配線</li> <li>* 更換較大型號減速機</li> <li>* Adjust to proper loading.</li> <li>* Replace bearing.</li> <li>* Take out foreign objects.</li> <li>* Replace gear.</li> <li>* Repair motor.</li> <li>* Wiring as indication.</li> <li>* Use larger sized gear reducer.</li> </ul>

\* 以上所列為一般故障原因，如有其它故障情形時，請與本公司連絡，我們將會提供最正確之服務。

The above items are general fault descriptions. In case of other kinds of faults, please contact with us to obtain most correct services.